



ANATECH ELECTRONICS INC
RF & Microwave Filters & Products

11.31 MHz LC Band Pass Filter

Part Number: AE11.31B5447



Electrical Specifications

Center Frequency: 11.31MHz
3dB Passband: 9.5-13.46 MHz
Insertion Loss: 3.0dB Max.
Return Loss: 14dB Min.
Rejection1: ≥ 40 dB @ 8.03 MHz
Rejection2: ≥ 40 dB @ 15.93 MHz
Impedance: 50 Ohms

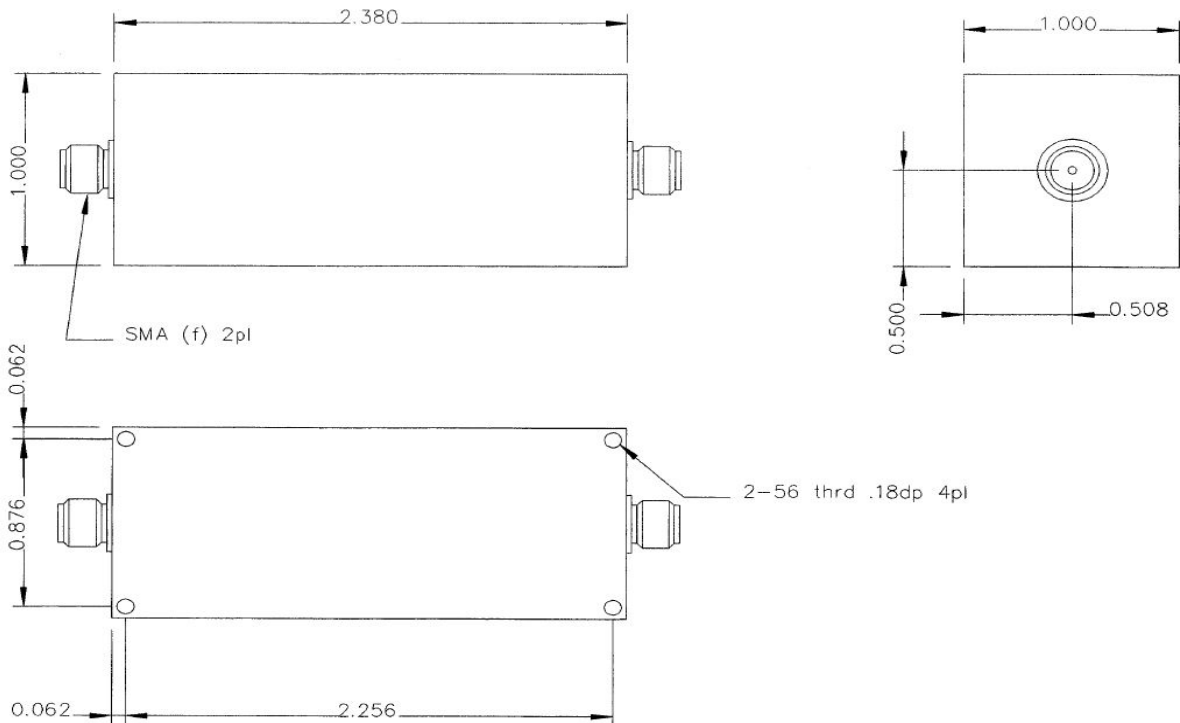
Mechanical

Mounting Method: Threaded Holes
Connector Type: SMA(F)
Dimensions: 2.38" X 1.0" x 1.0".

Environmental

Operating Temperature: -25°C to +70°C
Storage Temperature: -40°C to +90°C
Shock: 10 G. 11ms
Vibration: 10 G. 5 to 200Hz

Outline Drawing:



Tolerance: +/-0.01 inches [+/- 0.3mm]

Angles: +/- 1 Deg.

*Tolerance as shown unless otherwise specified in the datasheet electrical specification tables above.

*When max dimensions are called out the above tolerances do not apply as long as it is under the max call out.

70 Outwater Lane Phone: (973) 772-4242
Garfield, NJ 07026 Fax : (973) 321-3941

Email: sales@anatechelectronics.com
Web: www.anatechelectronics.com

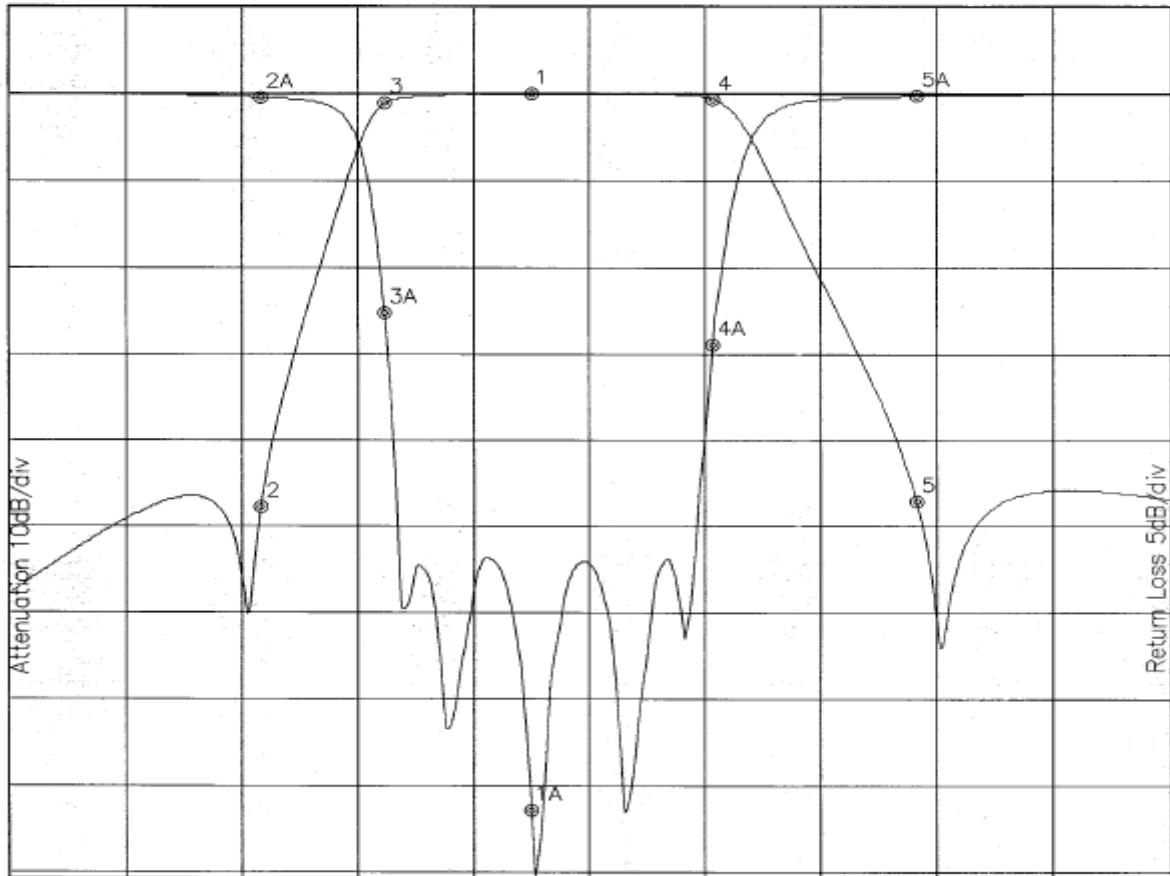


Simulation Plot:

B5447.lad

JUL 18, 2000

Attenuation/Return Loss



Attenuation Start: 5.0MHz Stop: 19.0MHz
Offset: -0.6521dB

Return Loss Start: 5.0MHz Stop: 19.0MHz

Marker 1 Freq 11.288MHz Atten 0.058dB
Marker 2 Freq 8.008MHz Atten -47.841dB
Marker 3 Freq 9.501MHz Atten -1.172dB
Marker 4 Freq 13.481MHz Atten -0.629dB
Marker 5 Freq 15.947MHz Atten -47.090dB

Marker 1A Freq 11.288MHz Ret Loss -41.440dB
Marker 2A Freq 8.008MHz Ret Loss -0.186dB
Marker 3A Freq 9.501MHz Ret Loss -12.609dB
Marker 4A Freq 13.481MHz Ret Loss -14.480dB
Marker 5A Freq 15.947MHz Ret Loss -0.148dB

Note: This is a simulation Plot. Actual response plot might differ once product is manufactured.