



1616-1626.5 MHz Cavity Band pass Filter

Part Number: AE1621B11345



ANATECH ELECTRONICS INC
RF & Microwave Filters & Products

Electrical specifications

Center Frequency: 1621 MHz
Bandwidth: 10.5 MHz
Passband: 1616-1626.5 MHz
Insertion Loss: 1.0 dB Max
Return Loss: 15 dB Min
Rejection: >40 dB @ 1563-1588 MHz
Impedance: 50Ω
Power Handling: 20 Watts

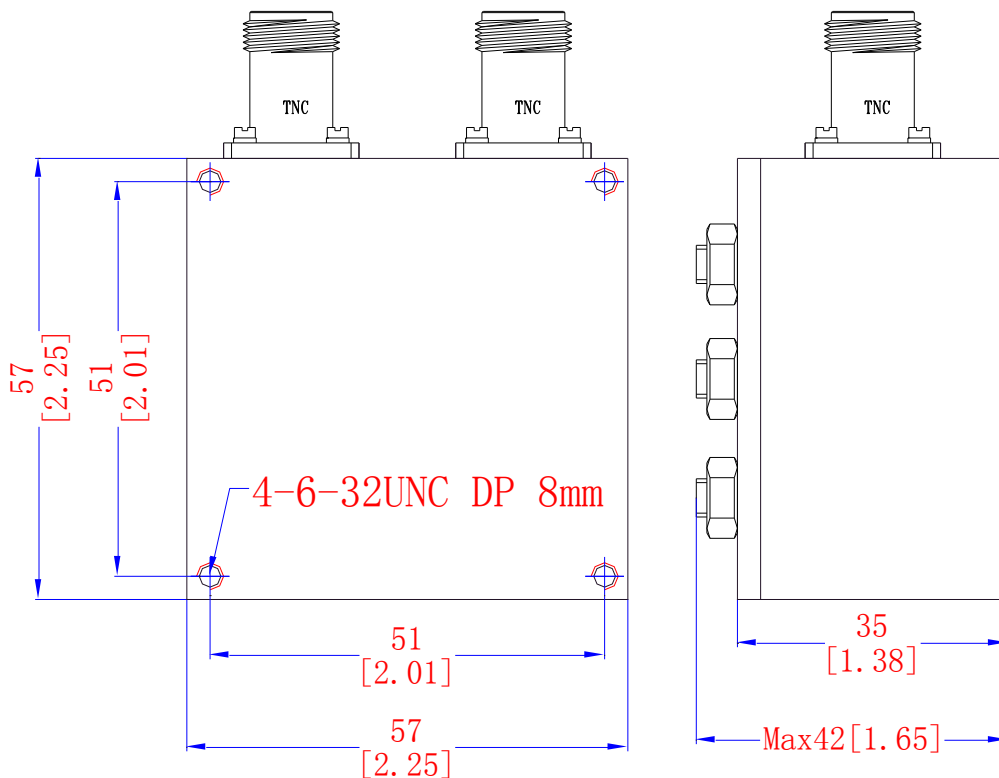
Mechanical

Connector Type: TNC (F)
Dimensions: 2.25 x 2.25 x 1.65 inches

Environmental

Operating Temperature: -45 to +85° C
Storage Temperature: -55 to +95° C

Outline Drawing:





1616-1626.5 MHz Cavity Band pass Filter

ANATECH ELECTRONICS INC
RF & Microwave Filters & Products

Part Number: AE1621B11345



Simulated response plot

