



**Electrical specifications**

**Center Frequency (Fc):** 2441.5 MHz  
**Bandwidth (-3dB):** 70 MHz  
**Insertion loss (Fc):** <1.1 db (0.9 dB typ)  
**Return loss:** 15 dB (-18 dB typ)  
**20 dB BW:** <91 MHz (Fc+/-45.5 MHz)  
**30 dB BW:** <106 MHz (Fc+/-53 MHz)  
**60 dB BW:** <150 MHz(Fc+/-75 MHz)  
**Harmonic Rejection:** >80 dB (90 dB typ)  
**Impedance:** 50 Ohm  
**Power Handling:** 50 Watts

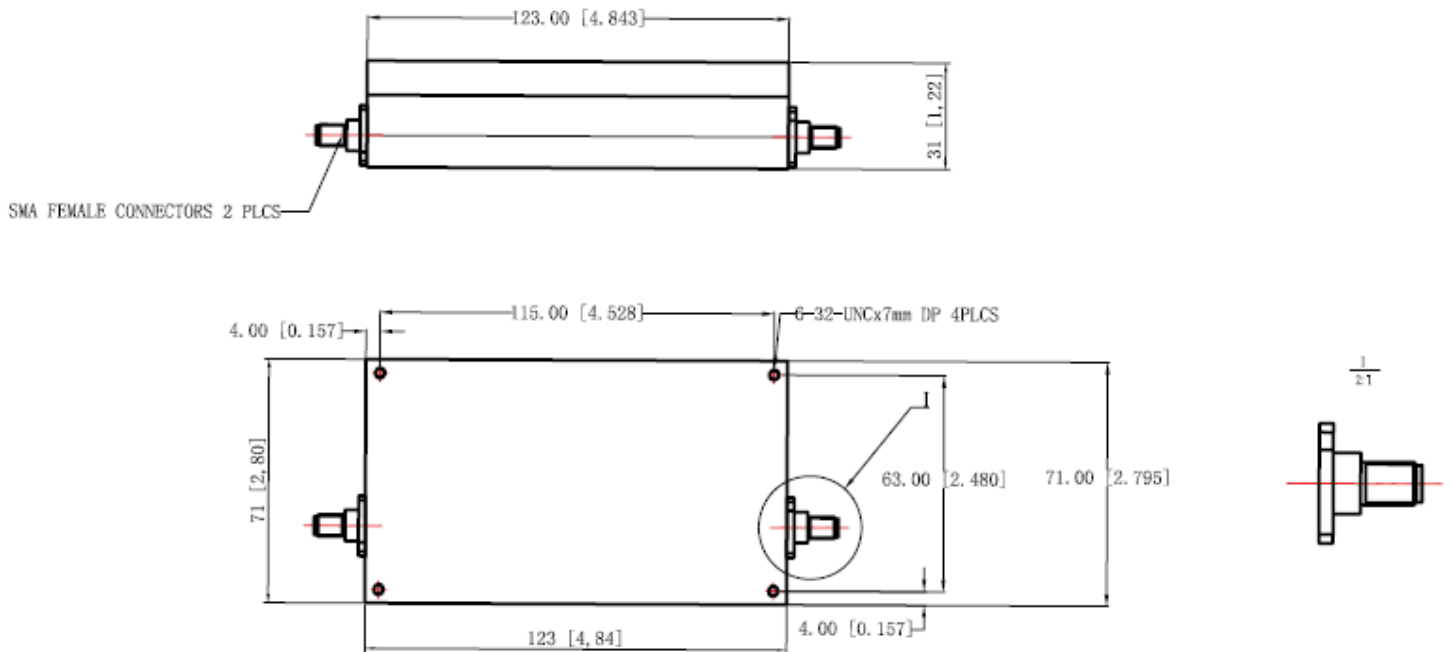
**Mechanical**

**Mounting Method:** Threaded Mounting Holes  
**Connector Type:** N Female  
**Dimensions:** 4.84" X 2.80" X 1.22" in

**Environmental**

**Operating Temperature:** -45 to +85° C  
**Storage Temperature:** -55 to +95° C  
**Shock:** 20 G. 11ms  
**Vibration:** 20 G. 5 to 200 MHz

**Outline Drawing:**





Plot:

