

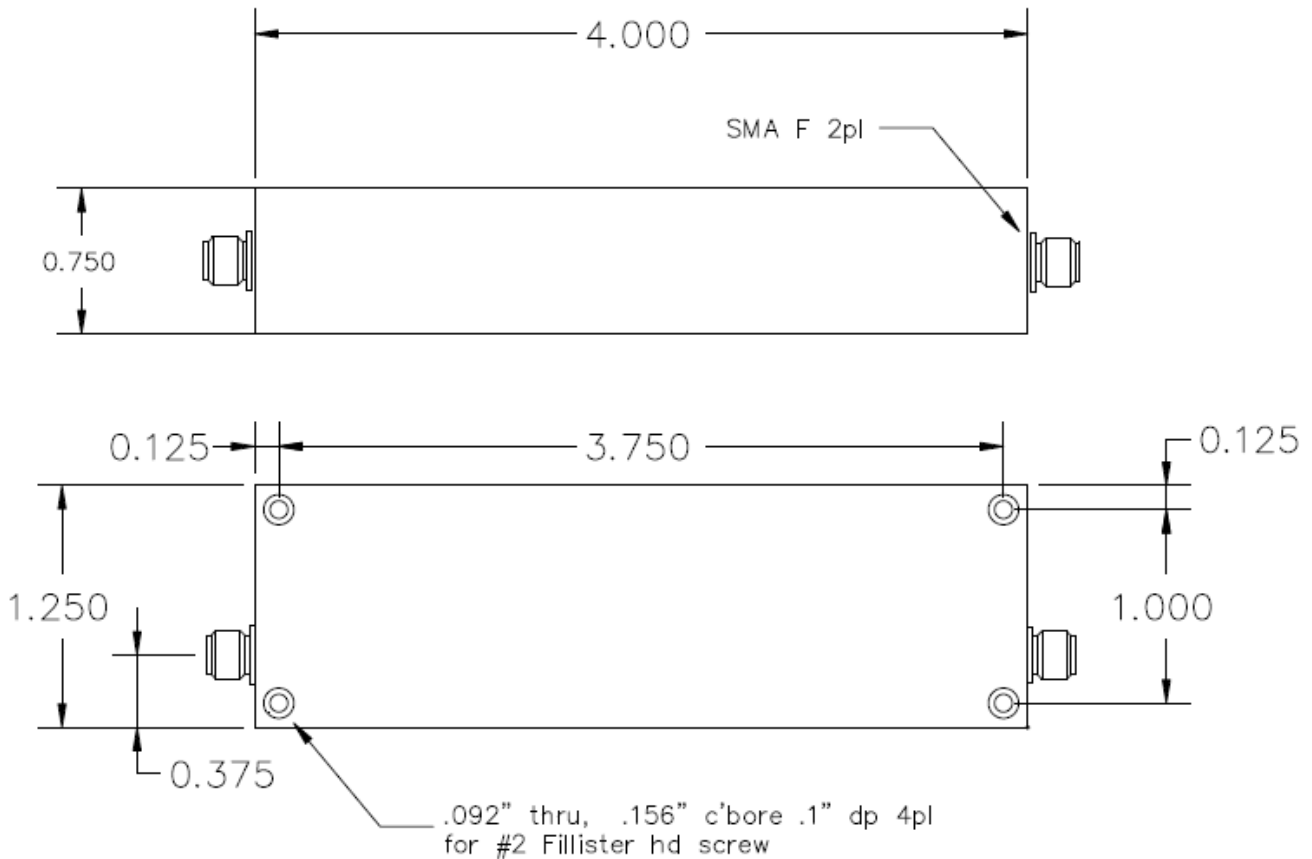


**297 MHz Lowpass Filter**

**Part Number: AE297L8906**

Insertion Loss:	<1 dB @ 185-297 MHz <3 dB @ 320 MHz
Return Loss:	>15 dB
Rejection:	>15 dB @ 369 MHz >60 dB @ 540-2000 MHz
Power Handling:	10W
Connector Type:	SMA (F)
Dimensions:	4 x 1.25 x 0.75 inches

**Outline Drawing:**

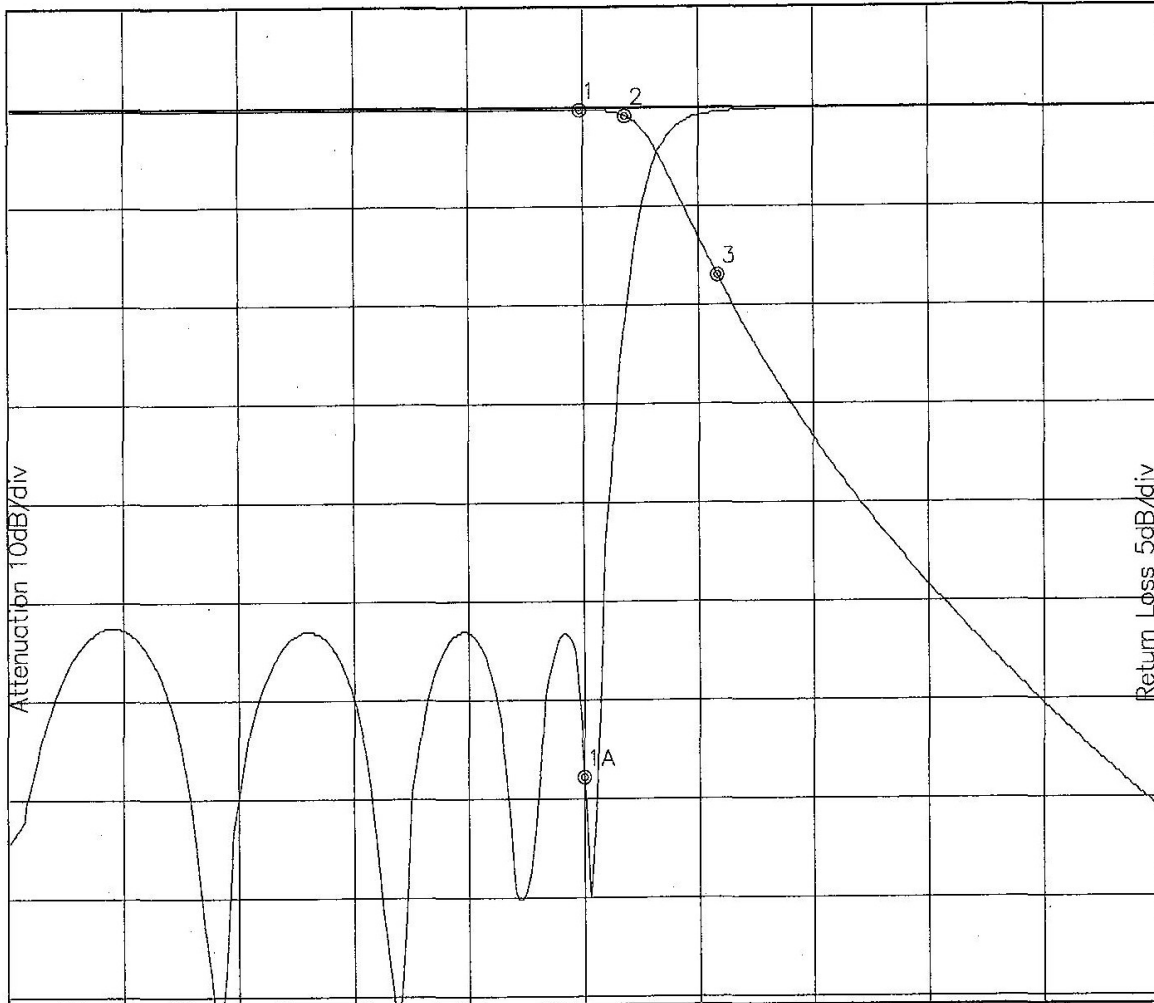




**297 MHz Lowpass Filter**

**Part Number: AE297L8906**

**Response Plot:**



Attenuation Start: 0.050Hz Stop: 600.0MHz

Return Loss Start: 0.050Hz Stop: 600.0MHz

Marker 1 Freq 297.57MHz Atten -0.228dB

Marker 1A Freq 299.51MHz Ret Loss -33.897dB

Marker 2 Freq 320.84MHz Atten -0.800dB

Marker 3 Freq 369.30MHz Atten -17.032dB