



1087.5 MHz Cavity Bandpass Filter

Part Number: AE1087B11790



ANATECH ELECTRONICS INC
RF & Microwave Filters & Products

Electrical specifications

Center Frequency: 1087.5MHz
Bandwidth: 255 MHz
Input / Output Impedance: 50 Ohms
Passband: 960-1215 MHz
Passband Insertion Loss: 0.5 dB max.
Passband Ripple: <0.2 dB
Passband Return Loss: VSWR = 1.4:1 max
Rejection: @ 5-700 MHz >50 dB
Rejection 2: @ 1700 MHz to 10 GHz >50 dB
Power Handling: 200W (CW)

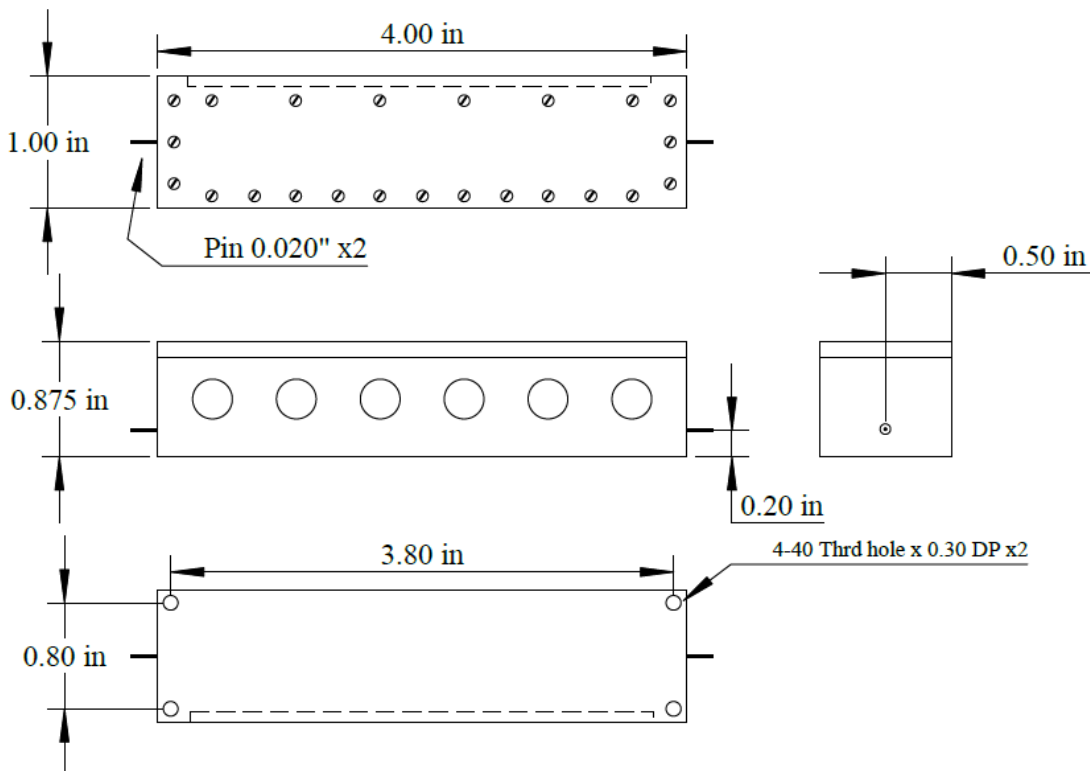
Mechanical

Mounting Method: Top mounting (Thru holes)
Case Style: Drop-In
Dimensions: 4" x 1" x 0.875"

Environmental

Operating Temperature: -45 to +85 deg.C
Storage Temperature: -55to +95 deg.C
Shock: 20 G. 11ms
Vibration: 20 G. 5 to 200 MHz

Outline Drawing:





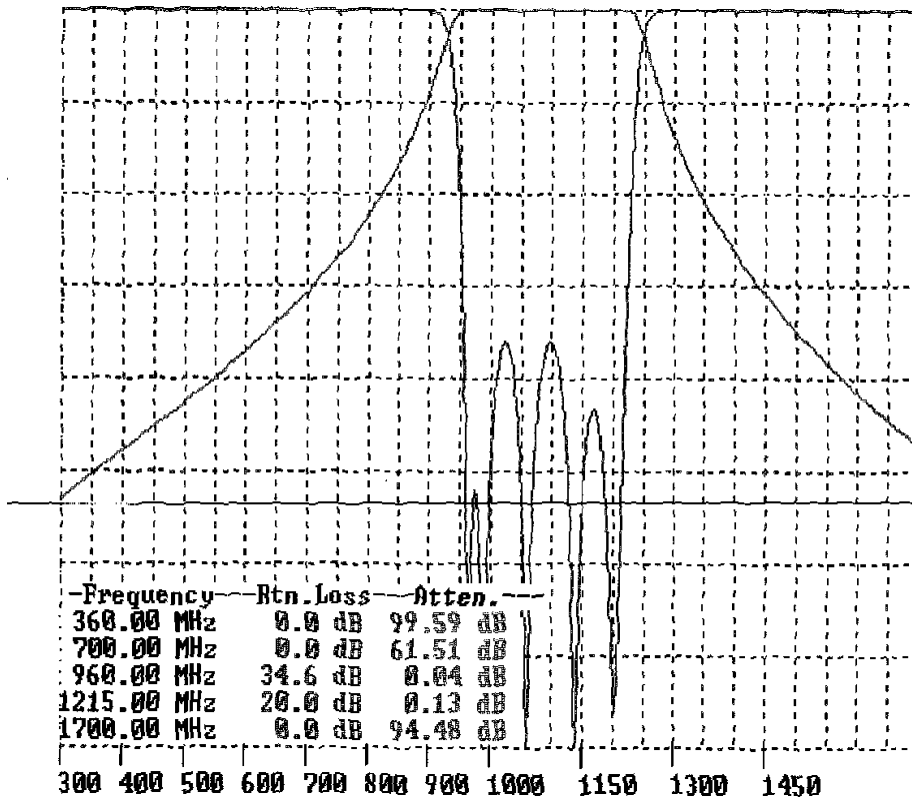
1087.5 MHz Cavity Bandpass Filter

Part Number: AE1087.5B10562

ANATECH ELECTRONICS INC
RF & Microwave Filters & Products



Response Plot:



From 300 MHz
To 1700 MHz
Marker = 300.000

Atten. 20.000 dB/div.
Ref = 0.0036163
106.367 dB
106.283 dB (Rel.)
Rtn. loss 5 dB/div.
ref = 0
0.001 dB

0.5 dB Bw 279.41 MHz
3.0 dB Bw 302.94 MHz