



ANATECH ELECTRONICS INC
RF & Microwave Filters & Products

2440 MHz Cavity Bandpass Filter

Part Number: WiFi4S2440-7



Electrical specifications

Center Frequency: 2440 MHz
Bandwidth: (-1dB): 22 MHz
Input / Output Impedance: 50 Ohms
Passband: 2425-2455 MHz
Passband Insertion Loss: <2 dB
Passband Ripple: <0.25 dB
Passband Return Loss: >15 dB
Rejection: > 45dB @ 2390 MHz
Rejection 2: > 45dB @ 2490 MHz
Harmonic Rejection: > 90 dBc
Power Handling: 50 W

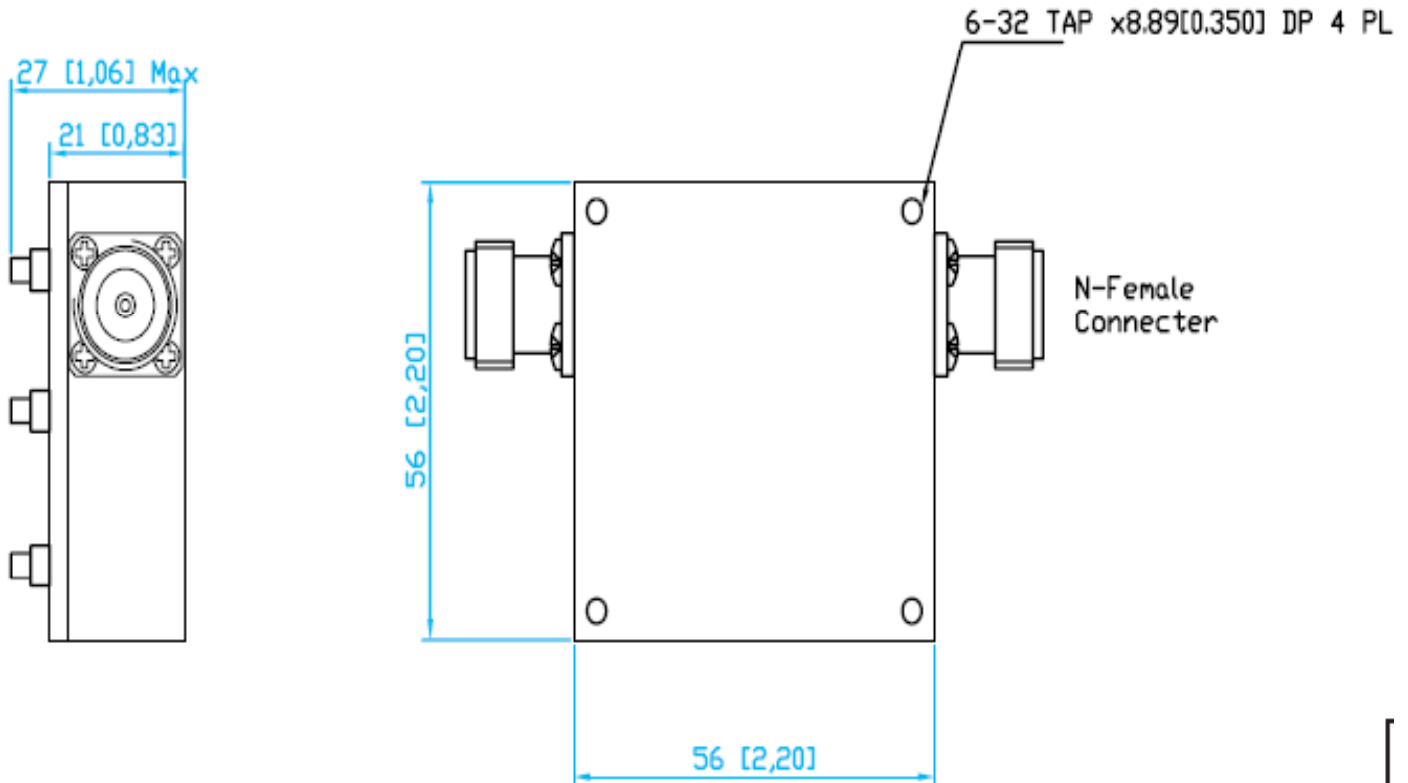
Mechanical

Mounting Method: Threaded Mounting Holes
Connector Type: 2 N-Type (F)
Dimensions: 56mm x 56mm x 27mm

Environmental

Operating Temperature: -45 to +85 deg.C
Storage Temperature: -55 to +95 deg.C
Shock: 20 G. 11ms
Vibration: 20 G. 5 to 200 MHz

Outline Drawing:





ANATECH ELECTRONICS INC
RF & Microwave Filters & Products

2440 MHz Cavity Bandpass Filter

Part Number: WiFi4S2440-7



Response Plot:

