



ANATECH ELECTRONICS INC
RF & Microwave Filters & Products

240 MHz LC Band Pass Filter

Part Number: AE240B11278



Electrical Specifications

Center Frequency: 240 MHz
-3dB Pass Band: 230-250 MHz Min
-50dB Bandwidth: 85 MHz Max
Insertion Loss: 2.9 dB Max at 240 MHz
In/Out VSWR: 1.25:1 Max at 240 MHz
Stopbands: >45 dB @ 200 MHz
 >45 dB @ 280 MHz

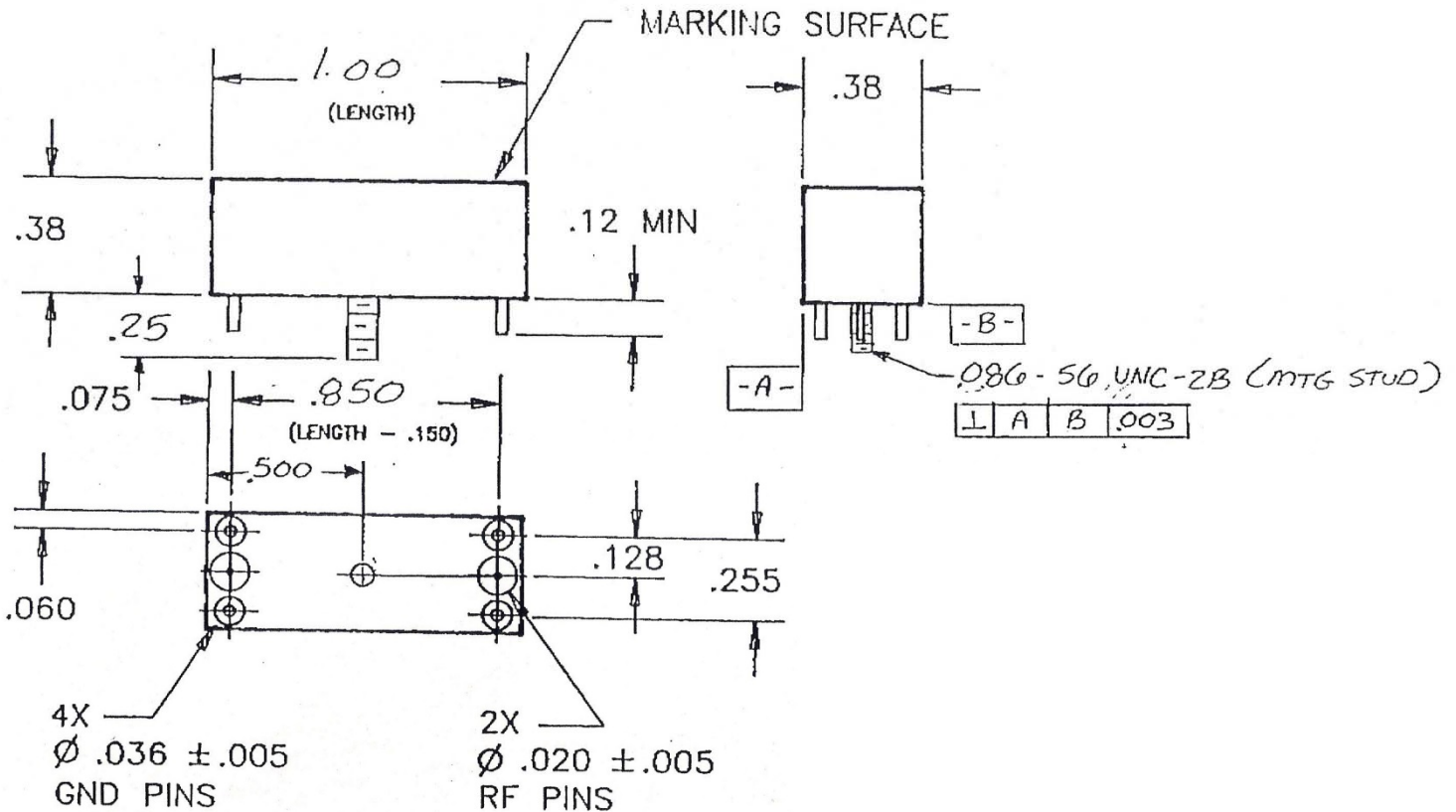
Mechanical

Connector Type: RF Pins
Dimensions: 1.00 x 0.38 x 0.38 Inches

Environmental

Operating Temperature: -30 to +85° C
Storage Temperature: -40 to +95° C
Shock: 20 G. 11 ms
Vibration: 20 G. 5 to 200 MHz

Outline Drawing:



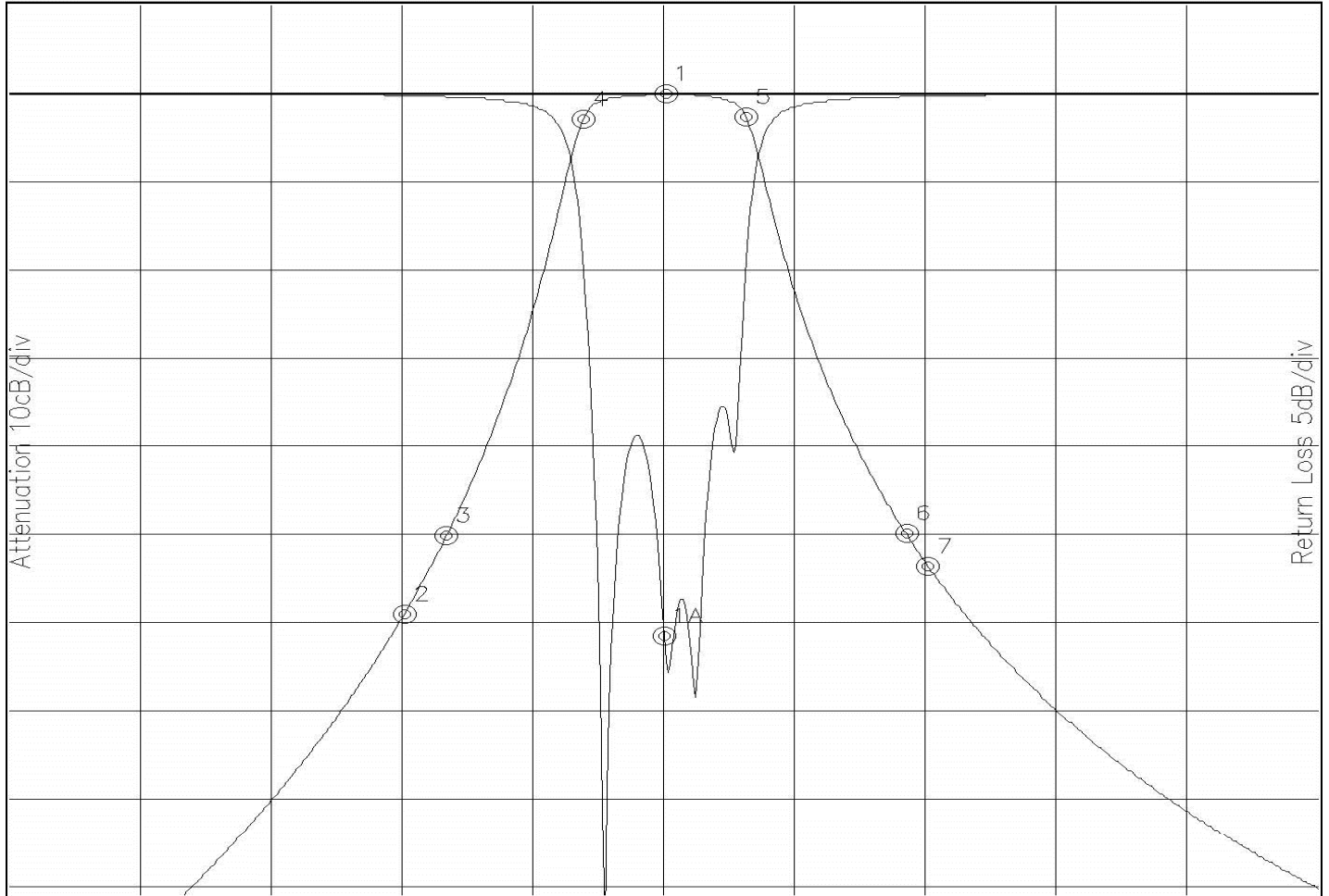


Response Plot:

A512.lad

DEC 15, 2015

Attenuation/Return Loss



Attenuation Start: 140.0MHz Stop: 340.0MHz

Return Loss Start: 140.0MHz Stop: 340.0MHz

Offset -1.9565dB

- Marker 1 Freq 240.16MHz Atten -0.021dB
- Marker 2 Freq 200.09MHz Atten -58.849dB
- Marker 3 Freq 206.55MHz Atten -50.030dB
- Marker 4 Freq 227.56MHz Atten -2.736dB
- Marker 5 Freq 252.43MHz Atten -2.692dB
- Marker 6 Freq 276.99MHz Atten -49.883dB
- Marker 7 Freq 280.22MHz Atten -53.389dB

Marker 1A Freq 239.83MHz Ret Loss -30.609dB