



ANATECH ELECTRONICS INC
RF & Microwave Filters & Products

181 MHz LC Band Pass Filter

Part Number: AE181B5455



Electrical Specifications

Center Frequency: 181 MHz
3dB Passband: 152.7-216 MHz
Insertion Loss: 3.0dB Max.
Return Loss: 14.0dB Min.
Rejection1: 40dB Min @ 128.6MHz
Rejection2: 40dB Min @ 255 MHz
Power Handling : 10 Watts
Impedance: 50 Ohms

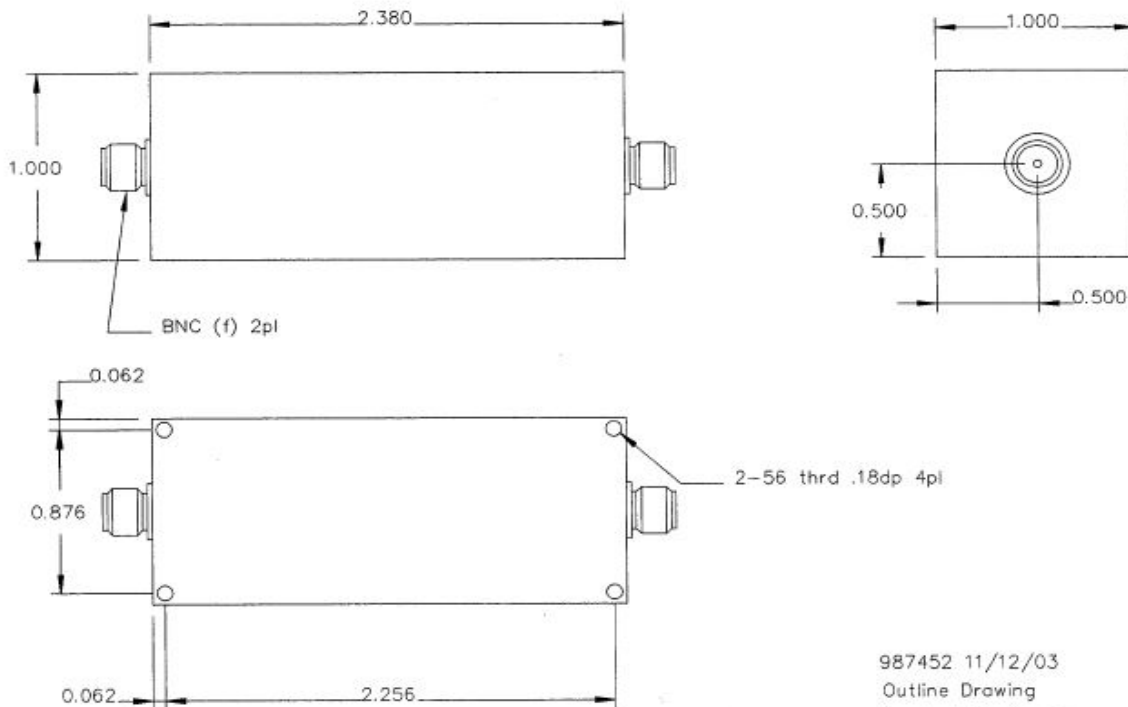
Mechanical

Mounting Method: Threaded Holes
Connector Type: SMA(F)
Dimensions: 2.38" X 1.0" x 1.0".

Environmental

Operating Temperature: -25°C to +70°C
Storage Temperature: -40°C to +90°C
Shock: 10 G. 11ms
Vibration: 10 G. 5 to 200Hz

Outline Drawing:



987452 11/12/03
Outline Drawing
Anatech Electronics
(987007)

Tolerance: +/-0.01 inches [+/- 0.3mm]

Angles: +/- 1 Deg.

*Tolerance as shown unless otherwise specified in the datasheet electrical specification tables above.

*When max dimensions are called out the above tolerances do not apply as long as it is under the max call out.

70 Outwater Lane Phone: (973) 772-4242
Garfield, NJ 07026 Fax : (973) 321-3941

Email: sales@anatechelectronics.com
Web: www.anatechelectronics.com



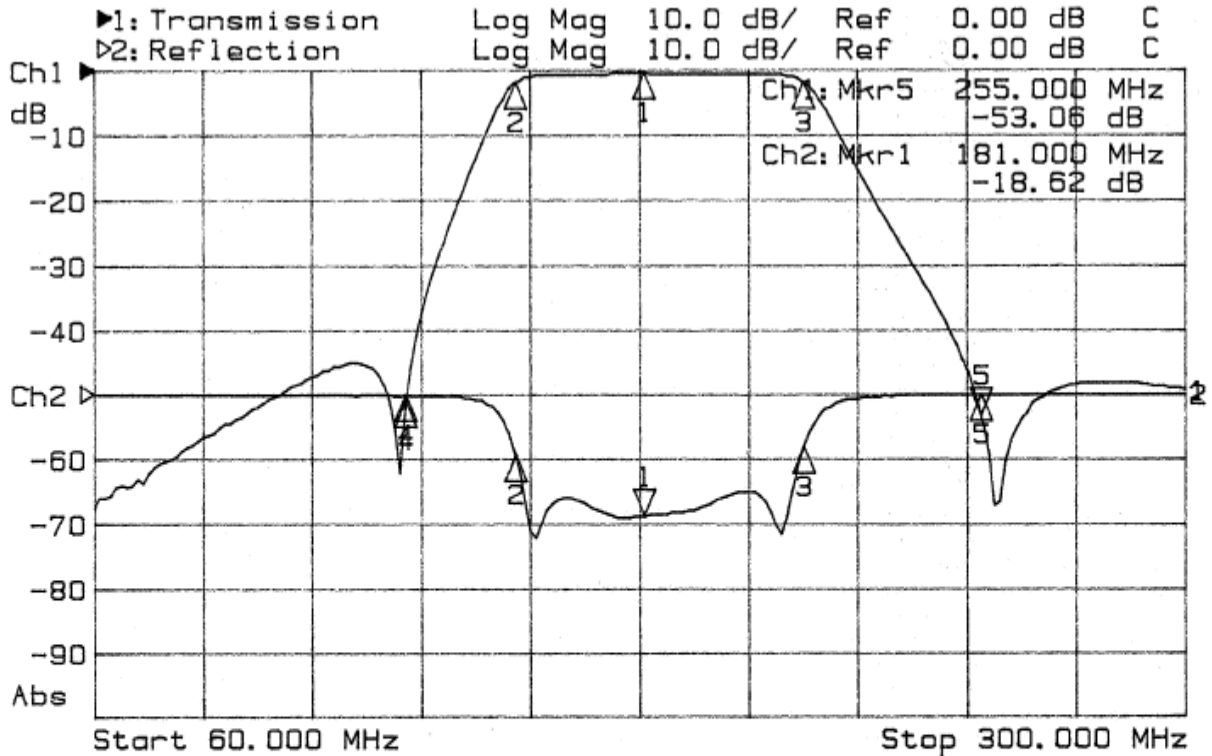
ANATECH ELECTRONICS INC
RF & Microwave Filters & Products

181 MHz LC Band Pass Filter

Part Number: AE181B5455



Response Plot:



1: Mkr (MHz)	dB	2: Mkr (MHz)	dB
1: 181.00	-0.45	1> 181.00	-18.62
2: 152.70	-1.84	2: 152.70	-9.49
3: 216.00	-1.78	3: 216.00	-8.23
4: 128.60	-51.06	4: 128.60	-0.15
5> 255.00	-53.06	5: 255.00	0.06