



Electrical Specifications

Pass Band: 3dB BW 175.5 Min to 184.5 Max MHz
Insertion Loss: 7.5 dB @ 180 MHz
In/Out VSWR: 1.25:1 Max @ 180 MHz
Stopband: 80 dB @ 240 MHz
 40 dB BW 20 Max MHz

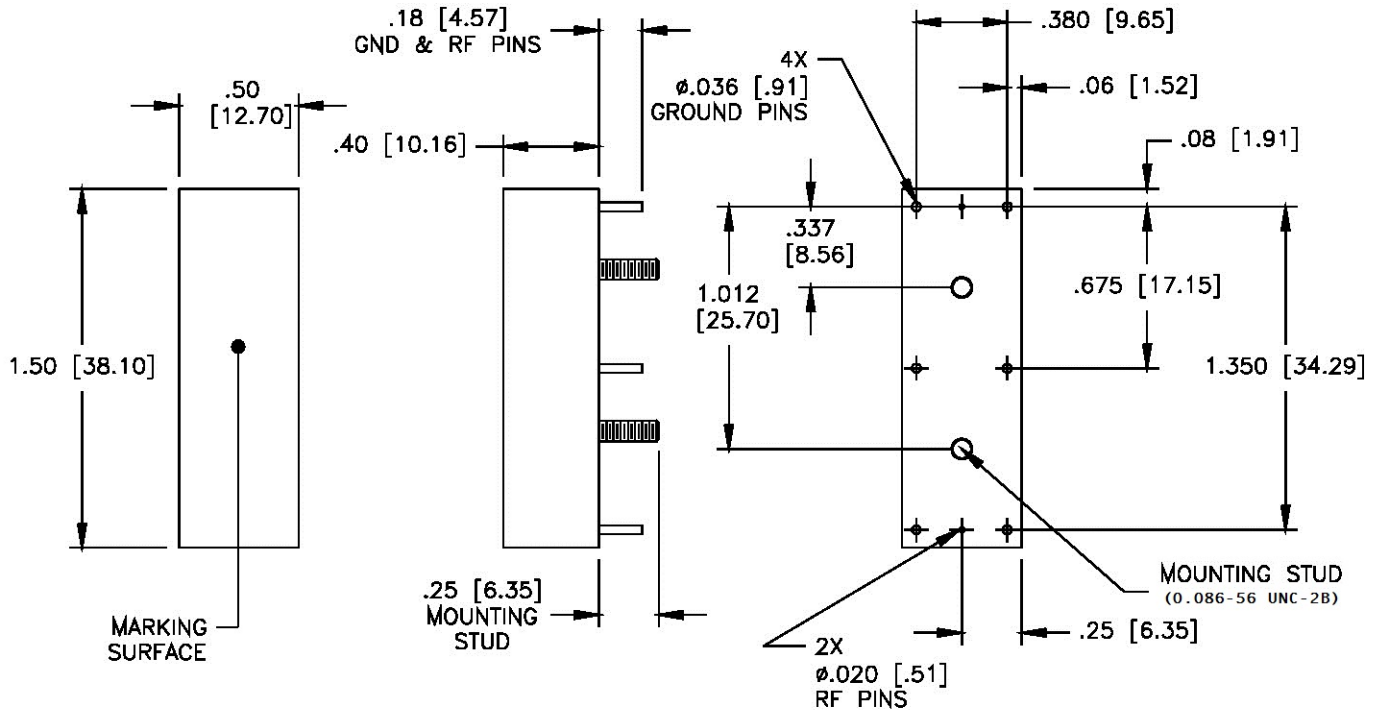
Mechanical

Connector Type: RF Pins
Dimensions: 1.50 x 0.50 x 0.40 Inches

Environmental

Operating Temperature: -30 to +85° C
Storage Temperature: -40 to +95° C
Shock: 20 G. 11 ms
Vibration: 20 G. 5 to 200 MHz

Outline Drawing:



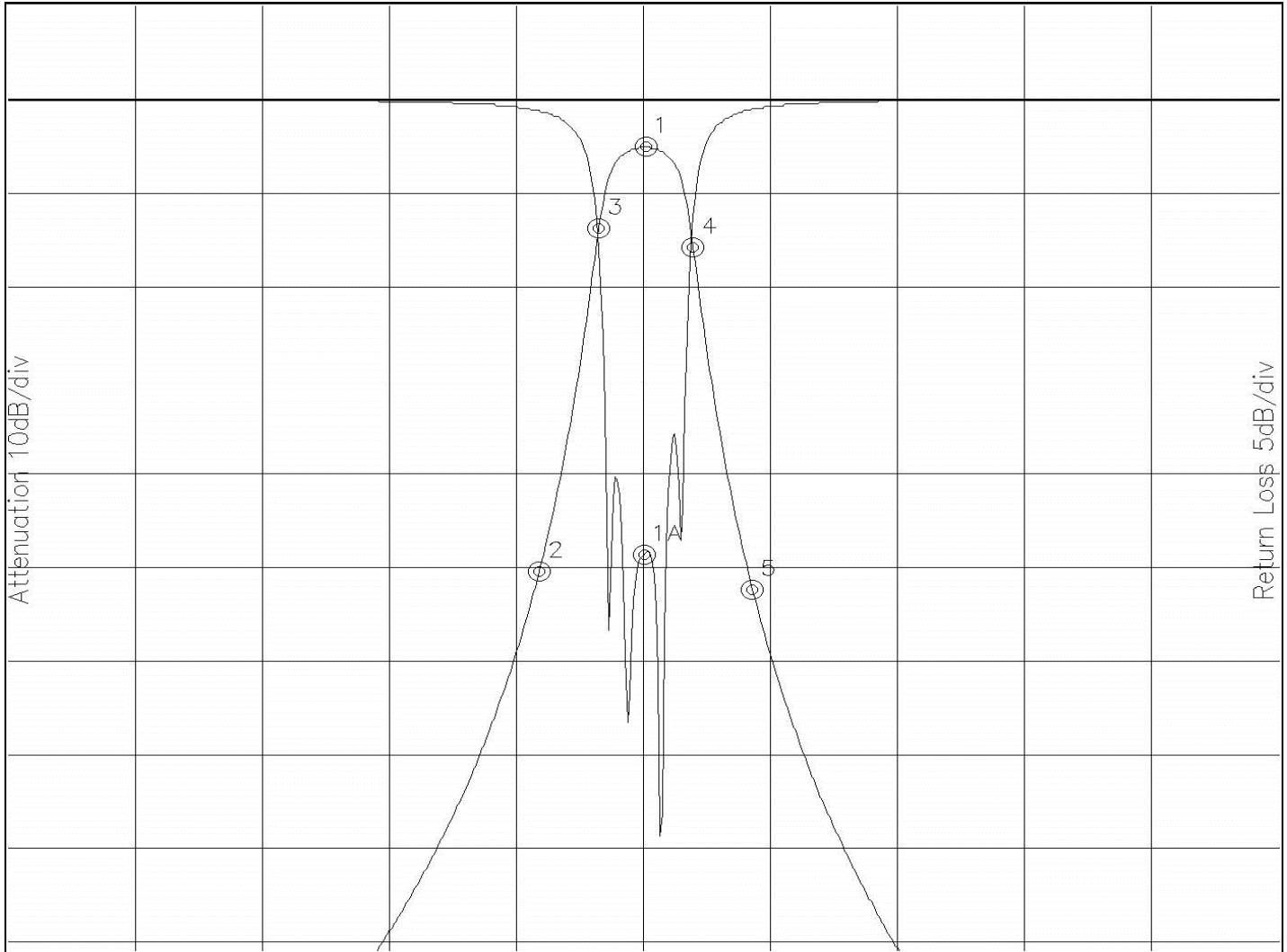


Response Plot:

A4/5.lad

JAN 30, 2015

Attenuation/Return Loss



Attenuation Start: 120.0MHz Stop: 240.0MHz

Return Loss Start: 120.0MHz Stop: 240.0MHz

Marker 1 Freq 180.09MHz Atten -5.052dB

Marker 1A Freq 179.90MHz Ret Loss -24.253dB

Marker 2 Freq 170.01MHz Atten -50.163dB

Marker 3 Freq 175.63MHz Atten -13.758dB

Marker 4 Freq 184.55MHz Atten -15.638dB

Marker 5 Freq 190.17MHz Atten -52.095dB