



**ANATECH ELECTRONICS INC**  
RF & Microwave Filters & Products

# 1 MHz LC Bandpass Filter

Part Number: AE1B4601



## Electrical Specifications

**Center Frequency:** 1 MHz  
**Bandwidth:** 0.35 MHz  
**Passband :** 0.840 MHz to 1.19 MHz  
**Insertion Loss:**  $\leq 4.0\text{dB @ } 1\text{ MHz}$   
**Return Loss:**  $>14\text{dB}$   
**Rejection:**  $>40\text{dB @ } 0.710\text{ MHz}$   
**Rejection2:**  $>40\text{dB @ } 1.41\text{ MHz}$   
**Impedance:** 50 Ohms

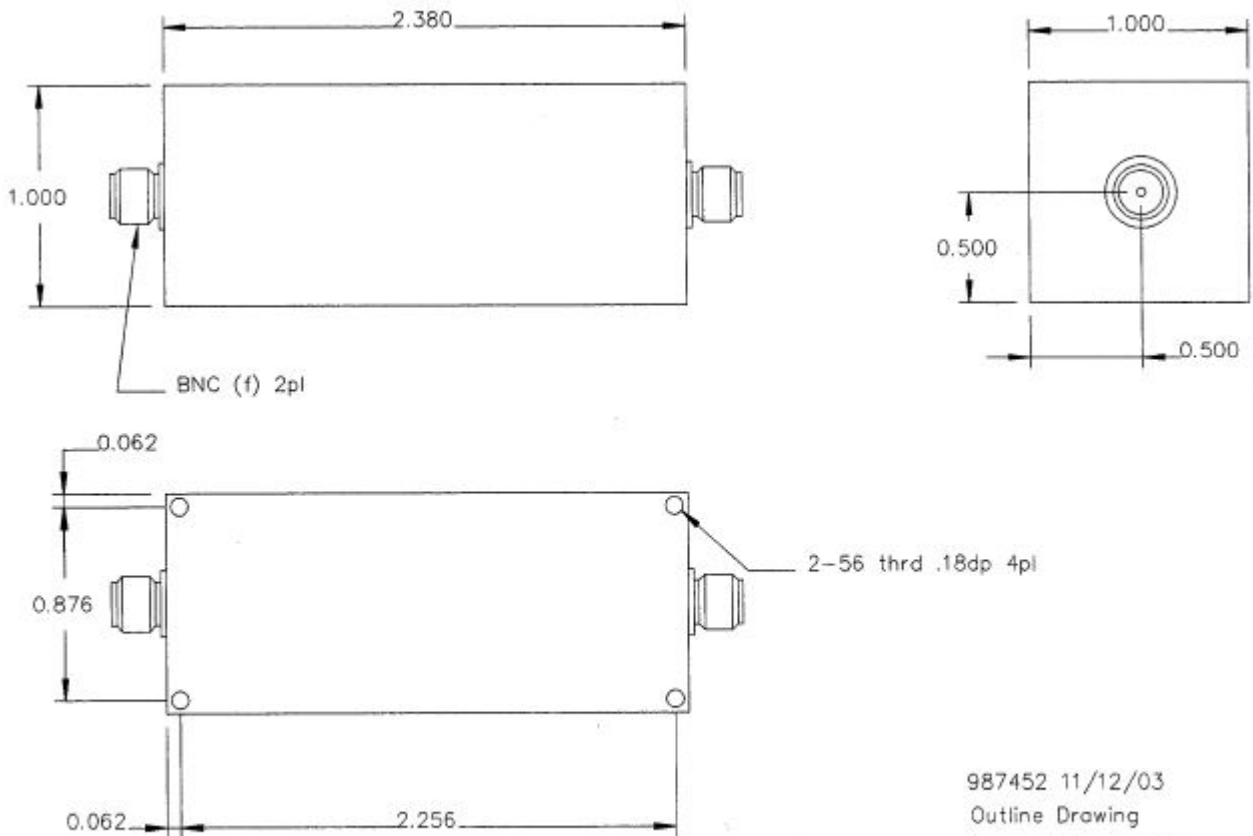
## Mechanical

**Mounting Method:** Threaded Mounting  
**Connector Type:** BNC(F)  
**Dimensions:** 2.38" x 1.00" x 1.00" in.

## Environmental

**Operating Temperature:**  $-25^{\circ}\text{C}$  to  $+70^{\circ}\text{C}$   
**Storage Temperature:**  $-40^{\circ}\text{C}$  to  $+90^{\circ}\text{C}$   
**Shock:** 10 G. 11ms  
**Vibration:** 10 G. 5 to 200Hz

## Outline Drawing:



987452 11/12/03  
Outline Drawing  
Anatech Electronics  
(987007)

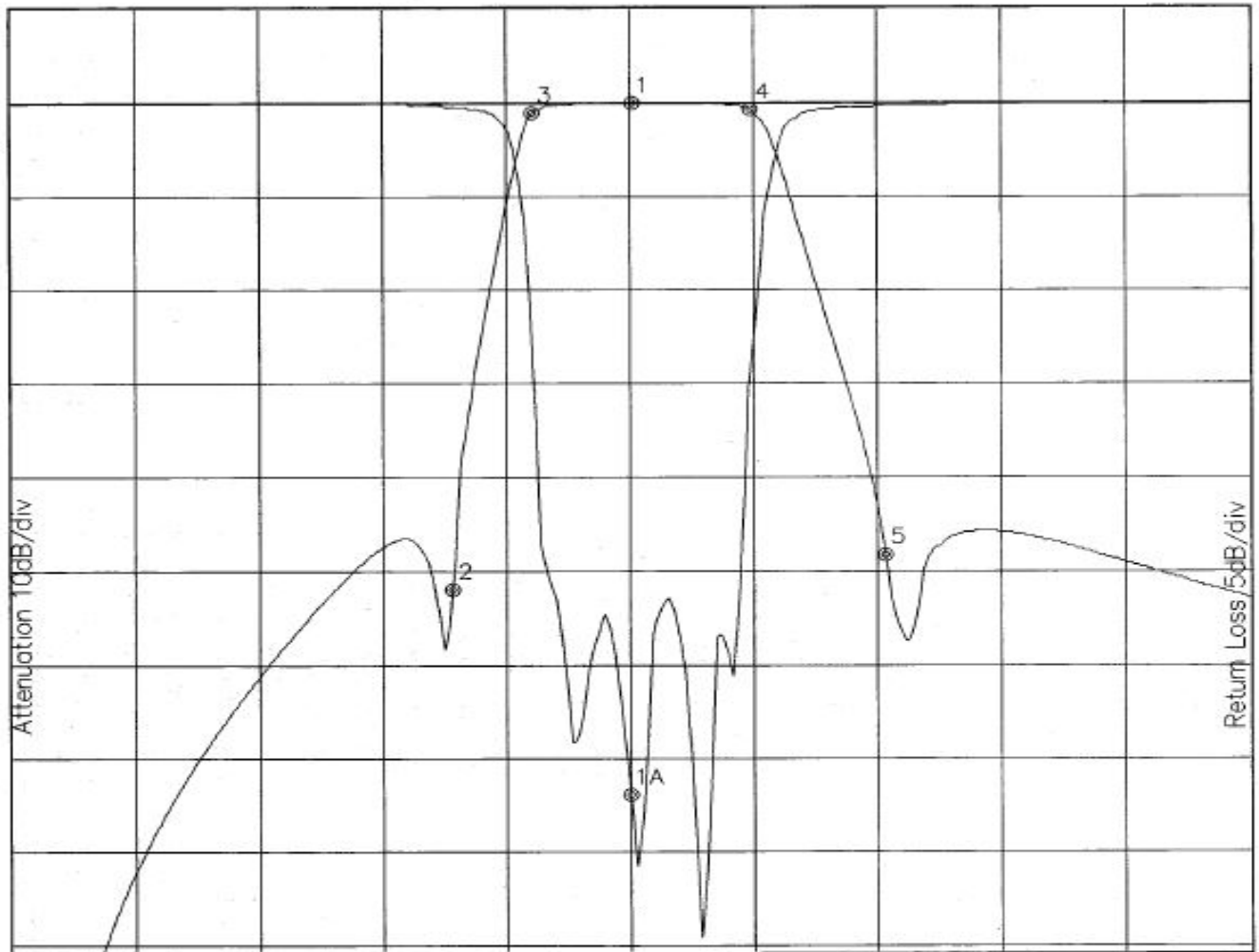


### Response Plot:

B4601.lod

AUG 18, 2000

Attenuation/Return Loss



Attenuation Start: 0.0Hz Stop: 2.0MHz

Return Loss Start: 0.0Hz Stop: 2.0MHz

Offset: -0.6521dB

Marker 1 Freq 1.002MHz Atten 0.060dB

Marker 1A Freq 998.38kHz Ret Loss -36.966dB

Marker 2 Freq 710.82kHz Atten -52.003dB

Marker 3 Freq 840.06kHz Atten -1.069dB

Marker 4 Freq 1.192MHz Atten -0.667dB

Marker 5 Freq 1.412MHz Atten -48.258dB