



ANATECH ELECTRONICS INC
RF & Microwave Filters & Products

31.5 MHz LC Band Pass Filter

Part Number: AE31.5B6357



Electrical Specifications

Center Frequency: 31.5 MHz
1.0dB Passband: 3-66 MHz
Insertion Loss: 1.0dB Max.
Return Loss: 10dB Min.
Rejection: $\geq 40\text{dB}$ @ 0-1 MHz
Rejection2: $\geq 40\text{dB}$ @ 85-300 MHz

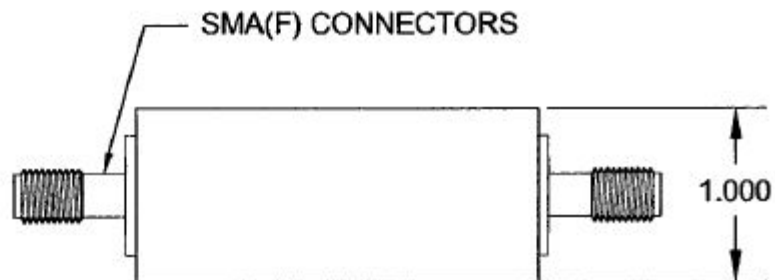
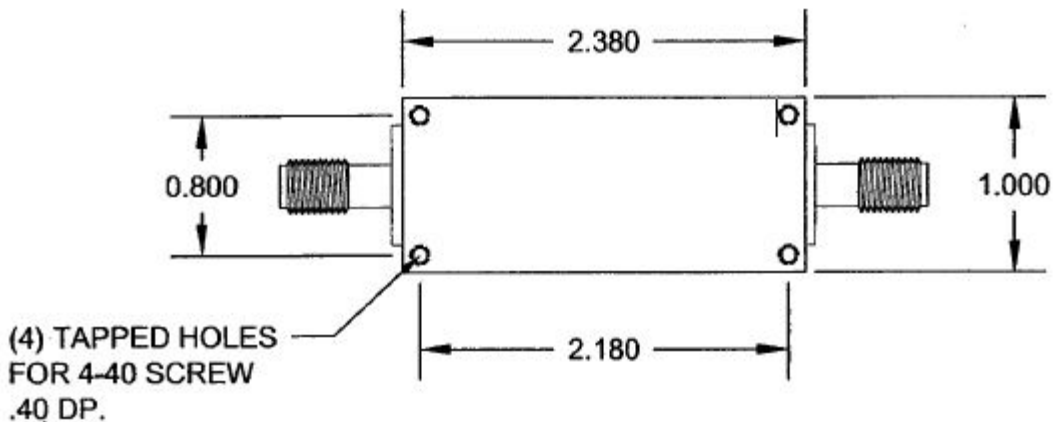
Mechanical

Mounting Method: Tapped Holes
Connector Type: SMA(F)
Dimensions: 2.38" X 1.0" x 1.0"

Environmental

Operating Temperature: -25°C to $+70^{\circ}\text{C}$
Storage Temperature: -40°C to $+90^{\circ}\text{C}$
Shock: 10 G. 11ms
Vibration: 10 G. 5 to 200Hz

Outline Drawing:





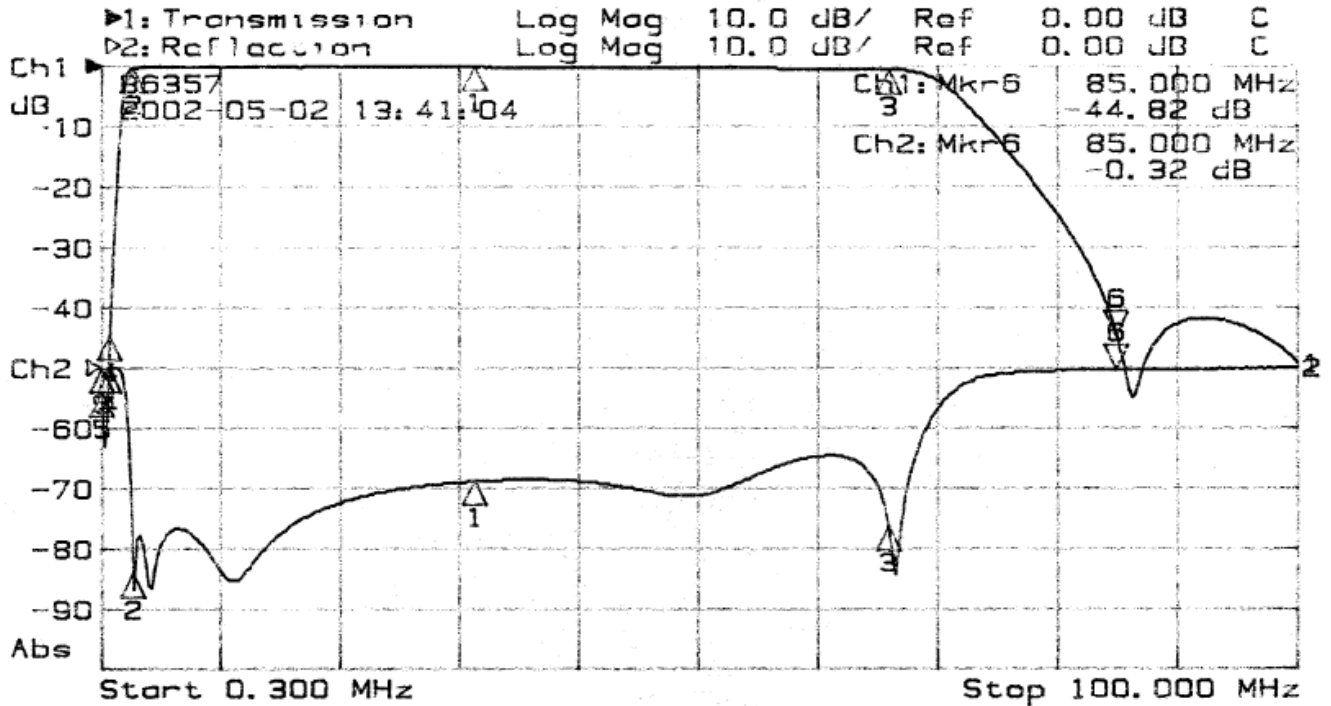
ANATECH ELECTRONICS INC
RF & Microwave Filters & Products

31.5 MHz LC Band Pass Filter

Part Number: AE31.5B6357



Response Plot:



1: Mkr (MHz)		dB	2: Mkr (MHz)		dB
1:	31.50	-0.12	1:	31.50	-18.83
2:	3.00	-0.23	2:	3.00	-34.53
3:	66.00	-0.64	3:	66.00	-26.28
4:	1.00	-44.86	4:	1.00	-0.02
5:	0.30	-58.80	5:	0.30	-0.02
6>	85.00	-44.82	6>	85.00	-0.32
			7:	0.30	-0.02