



ANATECH ELECTRONICS INC
RF & Microwave Filters & Products

44000-50000 MHz Band Pass Filter

Part Number: AE47000B11572



Electrical Specifications

Center Frequency: 47000 MHz
Passband: 44000-50000 MHz
Passband Insertion loss: ≤ 1.7 dB
Passband VSWR: $\leq 1.7:1$
Stop Band Attenuation:
 ≥ 45 dB @ 37500 MHz
 ≥ 45 dB @ 55000 MHz
Impedance: 50 Ohms
Power: ≤ 5 Watt

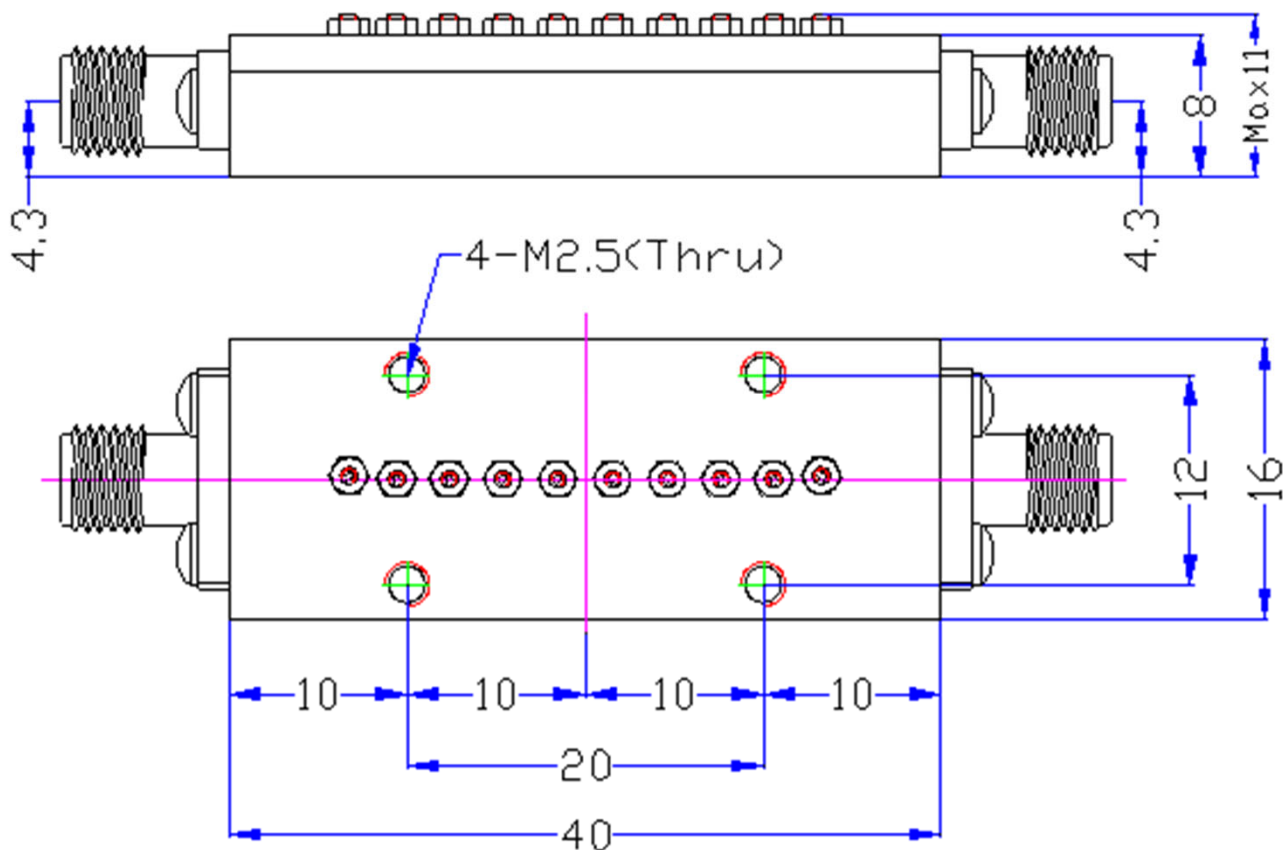
Mechanical

Mounting Method: Thru Holes
Connector Type: 2.4 mm (F)
Dimensions: 1.57 X 0.629 x 0.314 in.

Environmental

Operating Temperature: -40°C to $+80^{\circ}\text{C}$
Storage Temperature: -55°C to $+100^{\circ}\text{C}$
Shock: 20 G. 11ms
Vibration: 20 G. 5 to 200 Hz

Outline Drawing:





ANATECH ELECTRONICS INC
RF & Microwave Filters & Products

44000-50000 MHz Band Pass Filter

Part Number: AE47000B11572



Response Plot:

