



**ANATECH ELECTRONICS INC**  
RF & Microwave Filters & Products

# 1750 MHz LC Band Pass Filter

**Part Number: AE1750B5399**



## Electrical Specifications

**Center Frequency:** 1750 MHz  
**3dB Passband:** 1400 MHz to 2100 MHz  
**Insertion Loss:** 3.0dB Max.  
**Return Loss:** 14dB Min.  
**Rejection1:** 50dB Min. @ 900 MHz  
**Rejection2:** 50dB Min. @ 3000 MHz  
**Impedance:** 50 Ohms

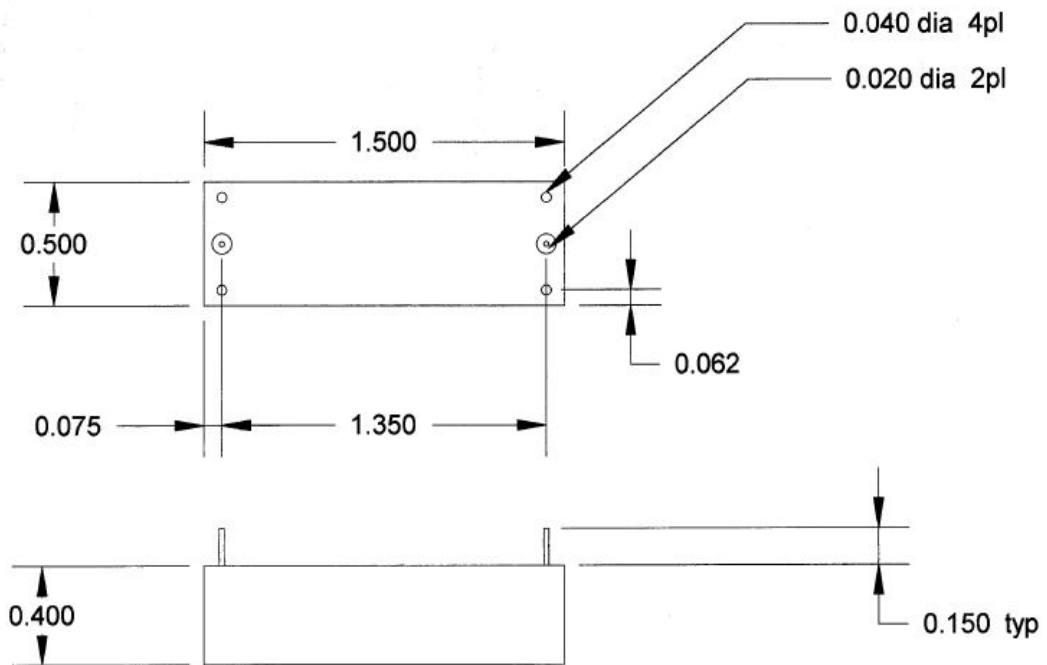
## Mechanical

**Connector Type:** PC-Mount  
**Dimensions:** 1.5" X 0.5" x 0.4" in.

## Environmental

**Operating Temperature:** -25°C to +70°C  
**Storage Temperature:** -40°C to +90°C  
**Shock:** 10 G. 11ms  
**Vibration:** 10 G. 5 to 200Hz

## Outline Drawing:



2 decimal places: +/-0.01 inches [ +/-0.3mm]

3 decimal places: +/-0.005 inches [ +/-0.13mm]

Angles: +/-1 Deg.

When max dimensions are called out the above tolerances do not apply as long as it is under the max call out.

**70 Outwater Lane Phone: (973) 772-4242**  
**Garfield, NJ 07026 Fax : (973) 321-3941**

**Email: [sales@anatechelectronics.com](mailto:sales@anatechelectronics.com)**  
**Web: [www.anatechelectronics.com](http://www.anatechelectronics.com)**



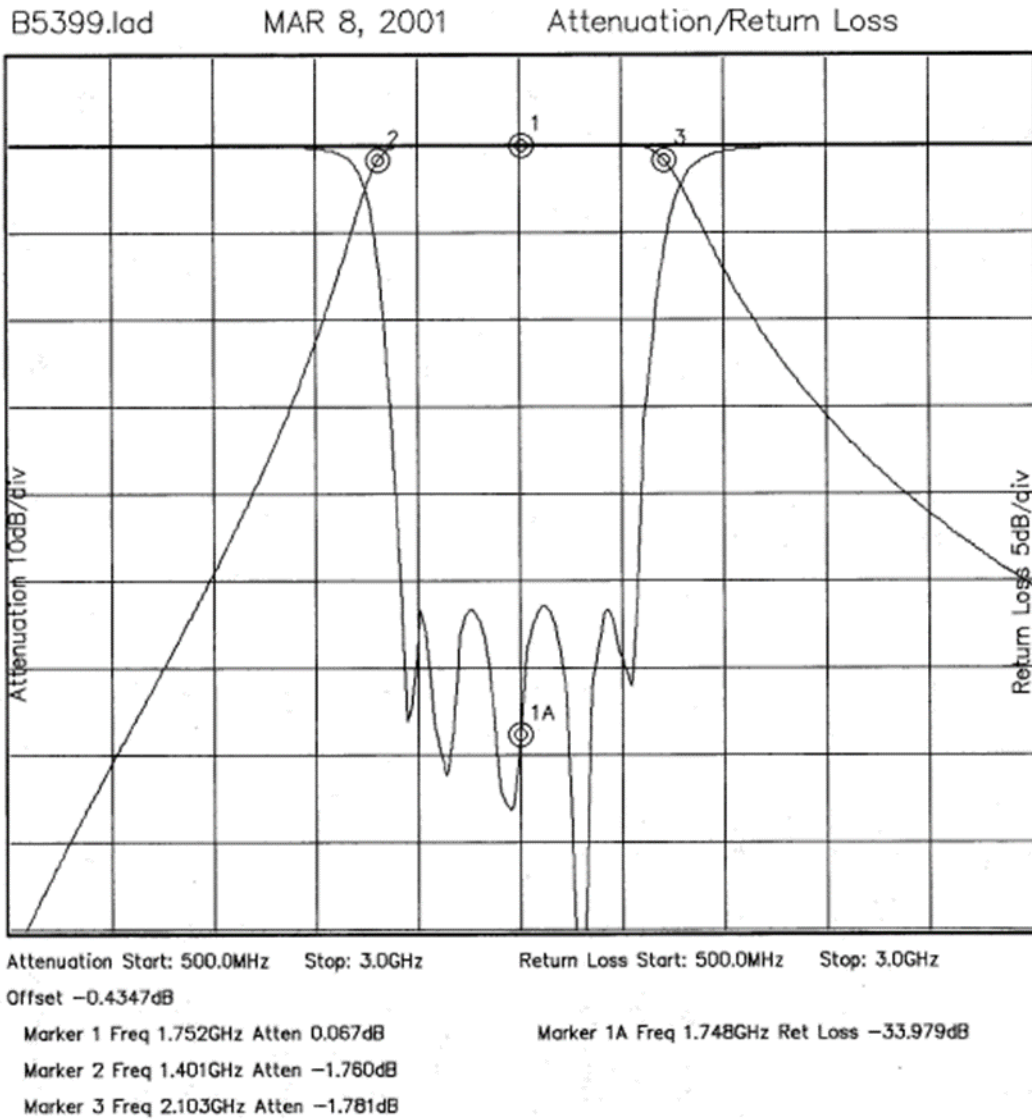
**ANATECH ELECTRONICS INC**  
RF & Microwave Filters & Products

# 1750 MHz LC Band Pass Filter

Part Number: AE1750B5399



## Simulation Plot:



Note: This is a simulation Plot. Actual response plot might differ once product is manufactured.