



**ANATECH ELECTRONICS INC**  
RF & Microwave Filters & Products

## 38.4 GHz Cavity Band Pass Filter

**Part Number: AE38400B11275**



### Electrical Specifications

**Center Frequency:** 38400 MHz  
**3dB Bandwidth:** 347 MHz  
**Pass Band:** 38226.5-39174.5 MHz  
Flatness  $\pm 1.0$  dB  
**Insertion Loss:** 3.0 dB Max  
**VSWR:** 2.0:1 Max  
**Rejection:** >38 dB @ 37.9 GHz  
>38 dB @ 38.9 GHz  
**Impedance:** 50  $\Omega$   
**Power Handling:** 1 W

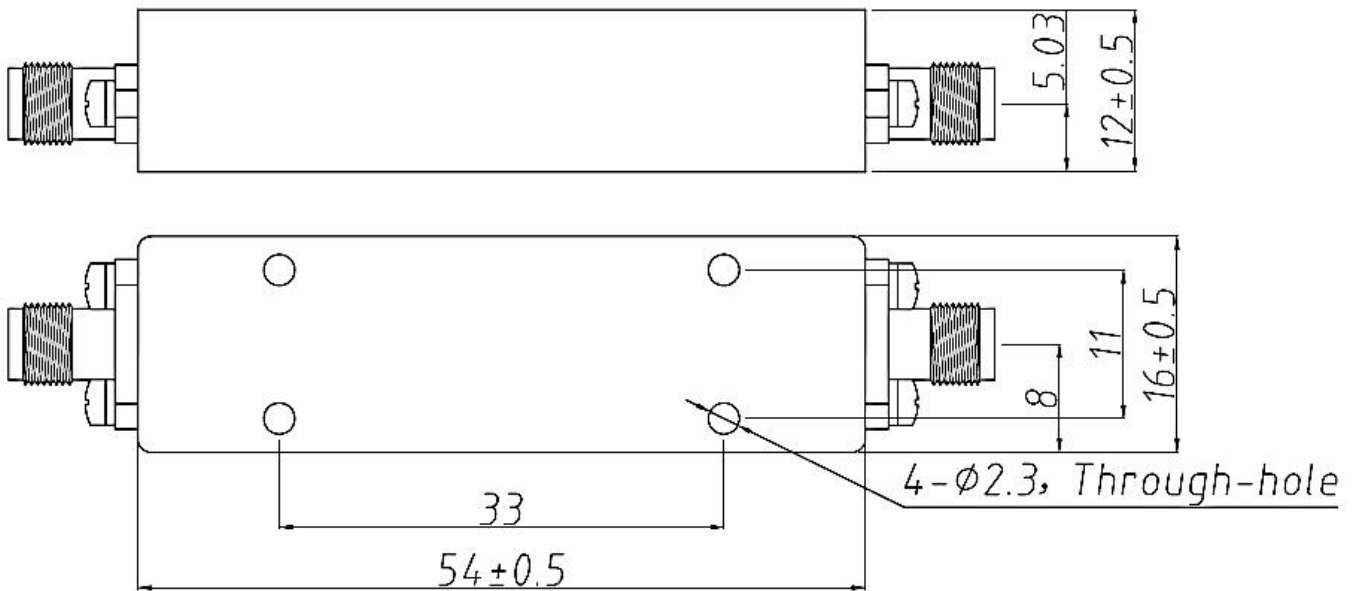
### Mechanical

**Connector Type:** 2.92mm (F)  
**Dimensions:** 54.0 x 16.0 x 12.0 mm

### Environmental

**Operating Temperature:** -30 to +85° C  
**Storage Temperature:** -40 to +95° C  
**Shock:** 20 G. 11 ms  
**Vibration:** 20 G. 5 to 200 MHz

### Outline Drawing:



Tolerance:  $\pm 0.5$  mm



### Response Plot:

