



Electrical Specifications

Center Frequency: 610 MHz
0.5 dB Bandwidth: $F_o \pm 2.0$ MHz
3.0 dB Bandwidth: $F_o \pm 4.0$ MHz with ± 0.2 dB Ripple Max
Insertion Loss: 5.0 dB Max at F_o
VSWR: 1.25:1 Max at $F_o \pm 4.0$ MHz
Phase Linearity: $\pm 3.0^\circ$ Max at $F_o \pm 4.0$ MHz
Stop Band Rejection:
 Offset -15 MHz & +20 MHz of F_o is 10 dB Min
 Offset -20 MHz & +30 MHz of F_o is 20 dB Min
 Offset -30 MHz & +40 MHz of F_o is 30 dB Min
 Offset -40 MHz & +65 MHz of F_o is 40 dB Min
 Offset -60 MHz & +90 MHz of F_o is 60 dB Min

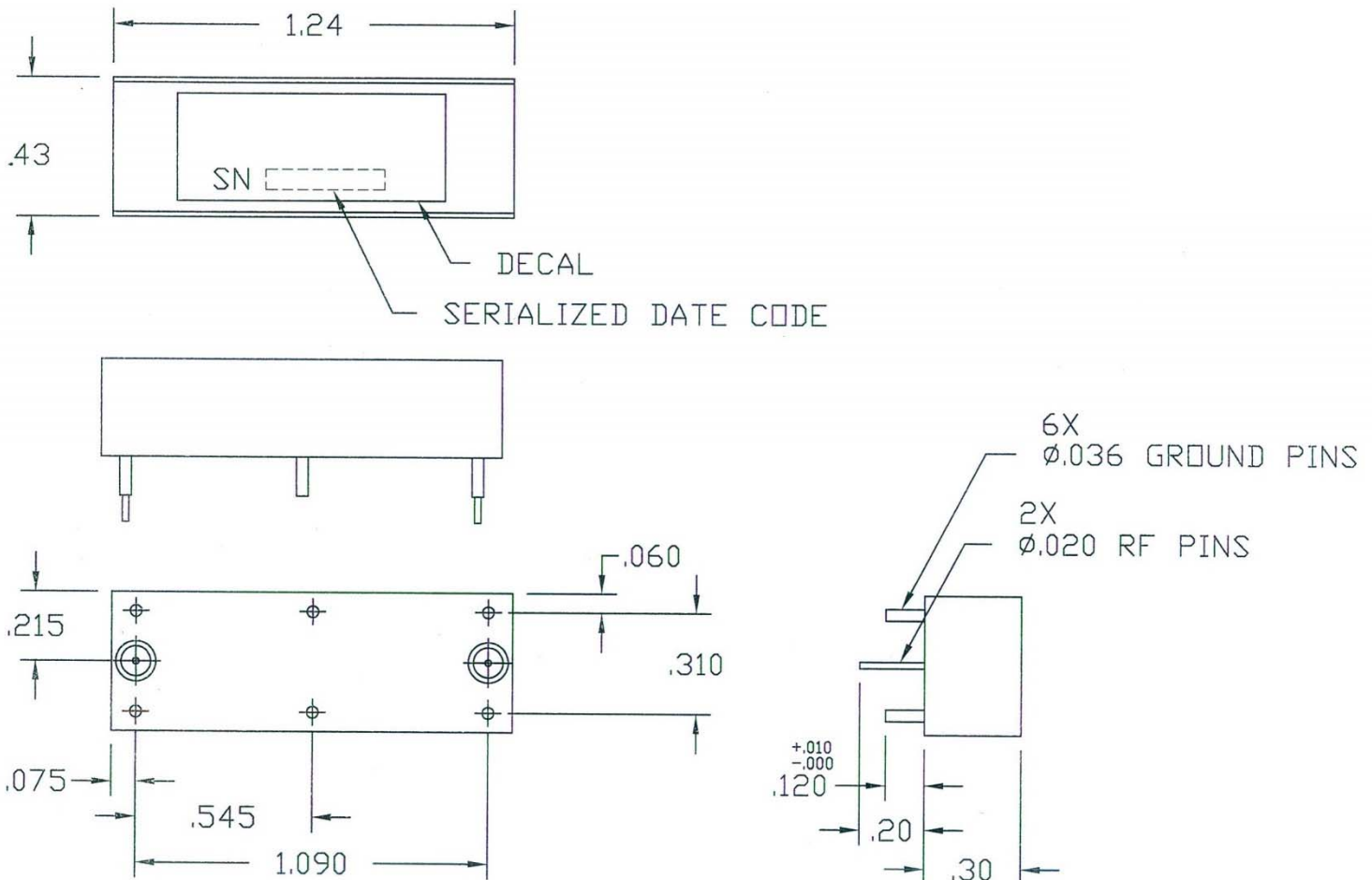
Mechanical

Connector Type: RF Pins
Dimensions: 1.24 x 0.43 x 0.30 Inches

Environmental

Operating Temperature: -30 to +85° C
Storage Temperature: -40 to +95° C
Shock: 20 G. 11 ms
Vibration: 20 G. 5 to 200 MHz

Outline Drawing:



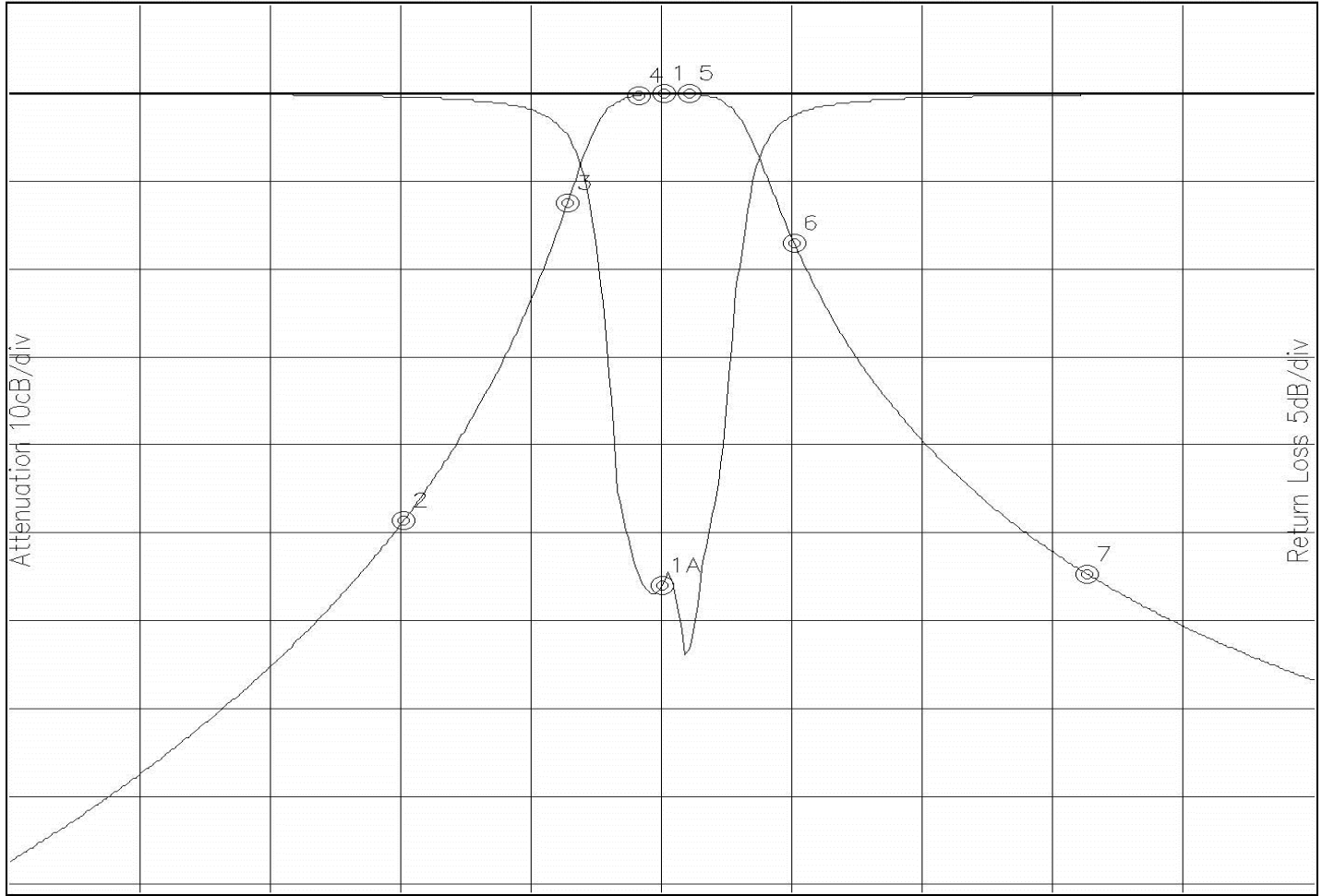


Response Plot:

A502.lad

DEC 4, 2015

Attenuation/Return Loss



Attenuation Start: 510.0MHz Stop: 710.0MHz

Return Loss Start: 510.0MHz Stop: 710.0MHz

Offset -3.4782dB

- Marker 1 Freq 610.16MHz Atten 0.086dB
- Marker 2 Freq 570.09MHz Atten -48.573dB
- Marker 3 Freq 595.29MHz Atten -12.420dB
- Marker 4 Freq 606.28MHz Atten -0.187dB
- Marker 5 Freq 614.03MHz Atten 0.039dB
- Marker 6 Freq 630.19MHz Atten -16.959dB
- Marker 7 Freq 675.10MHz Atten -54.513dB

Marker 1A Freq 609.83MHz Ret Loss -27.937dB



ANATECH ELECTRONICS INC
RF & Microwave Filters & Products

610 MHz LC Band Pass Filter

Part Number: AE610B11262

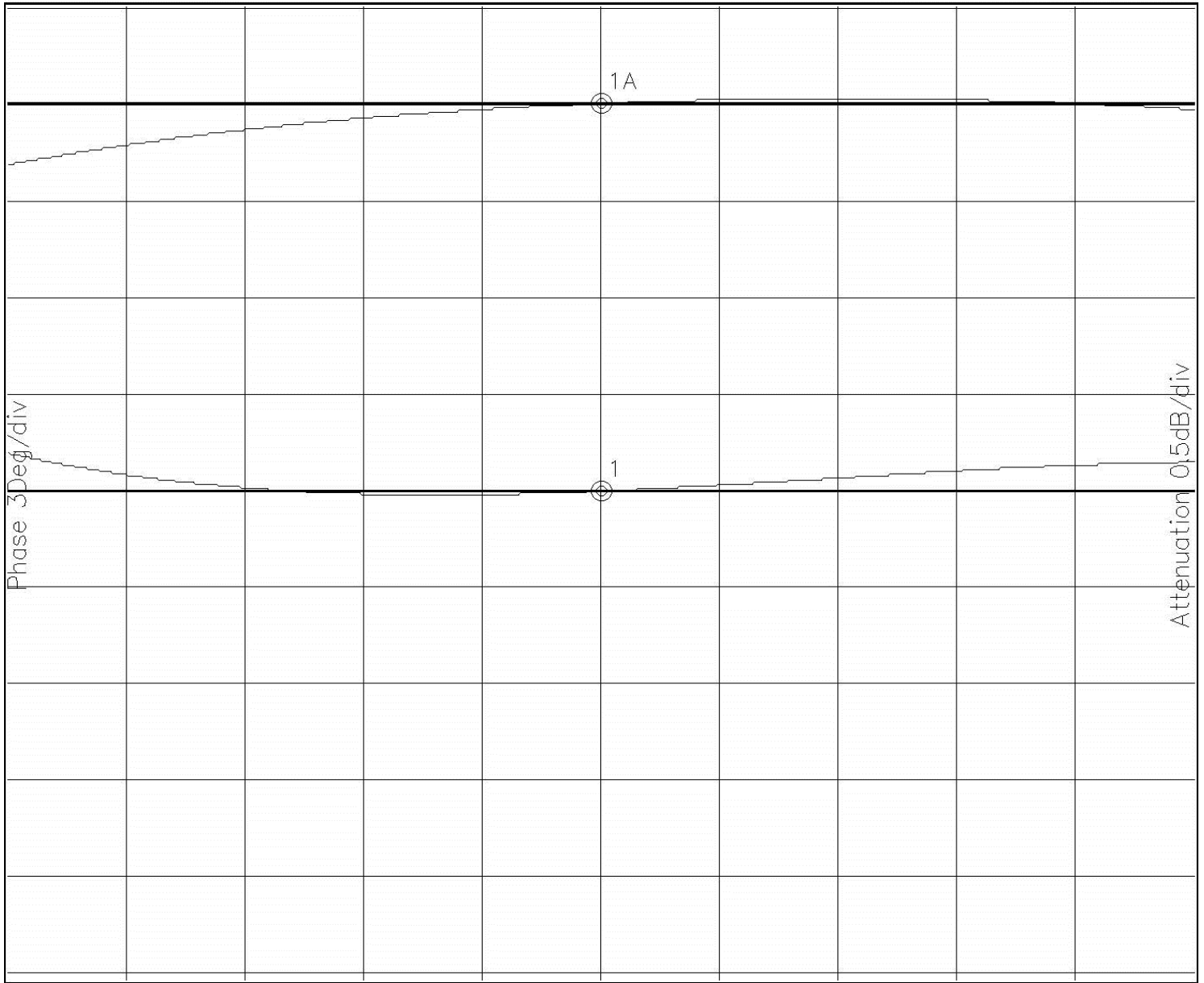


Phase:

A502.lad

DEC 4, 2015

Phase/Attenuation



Phase Start: 606.0MHz Stop: 614.0MHz

Attenuation Start: 606.0MHz Stop: 614.0MHz

Offset -357.58Deg

Offset -3.4021dB

Marker 1 Freq 609.99MHz Phase -0.016Deg

Marker 1A Freq 609.99MHz Atten 0.001dB