



### Electrical Specifications

**Center Frequency:** 25400 MHz  
**Bandwidth:** 10000 MHz  
**Pass Band:** 20400-30400 MHz  
**Insertion Loss:** 2.0 dB Max  
**VSWR:** 2.0:1 Max  
**Rejection:** >40 dB @ DC-14.4 GHz  
                   >40 dB @ 36.4-40 GHz  
**Impedance:** 50 Ω  
**Power Handling:** 1 W

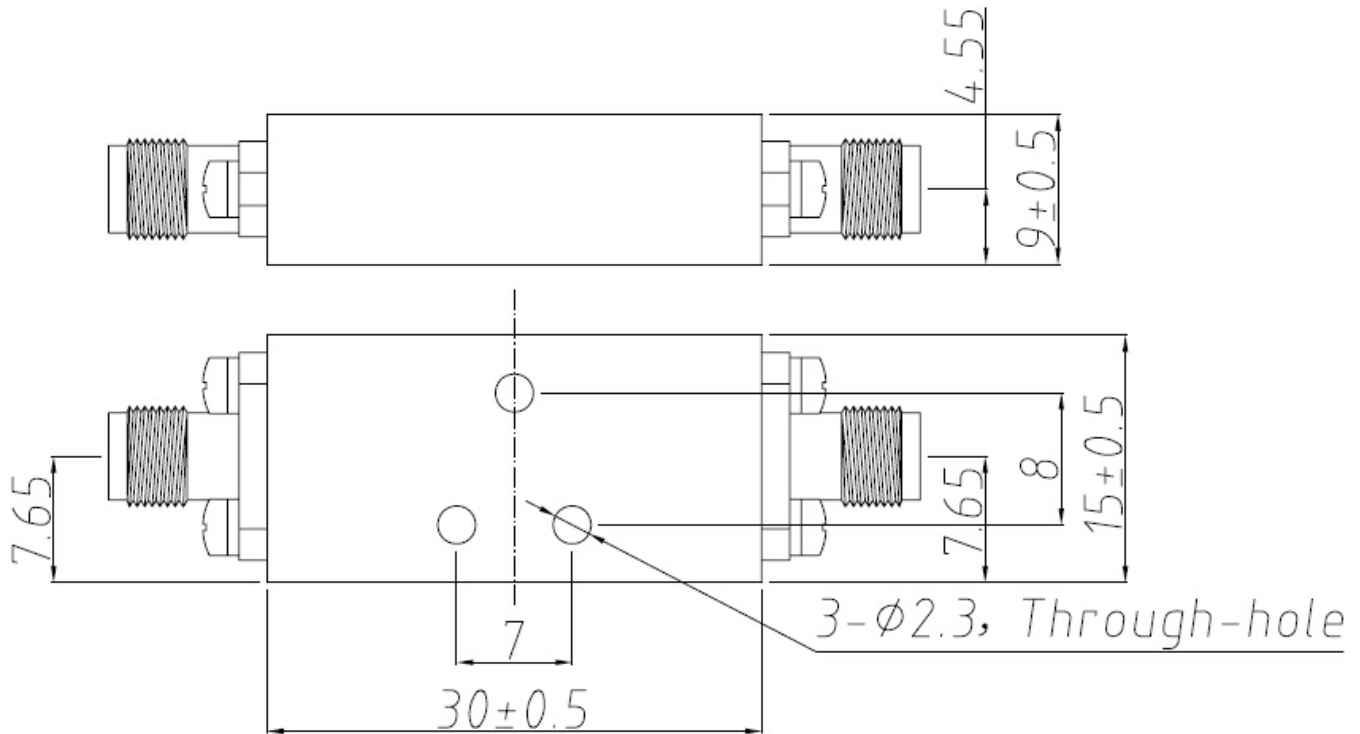
### Mechanical

**Connector Type:** 2.92mm (F)  
**Dimensions:** 30.0 x 15.0 x 9.0 mm

### Environmental

**Operating Temperature:** -30 to +60° C  
**Storage Temperature:** -40 to +85° C  
**Shock:** 20 G. 11 ms  
**Vibration:** 20 G. 5 to 200 MHz

### Outline Drawing:



Tolerance: ±0.5 mm



### Response Plot:

