



# 250 MHz LC Bandpass Filter

**Part Number: AE250B8813**



## Electrical specifications

**Center Frequency:** 250 MHz  
**Insertion Loss:** 2 dB Max  
**Return Loss:** 14 dB Min  
**Ripple:** 0.1 dB  
**Rejection:** >45 dB @ 0-120 MHz  
>45 dB @ 520-2000 MHz

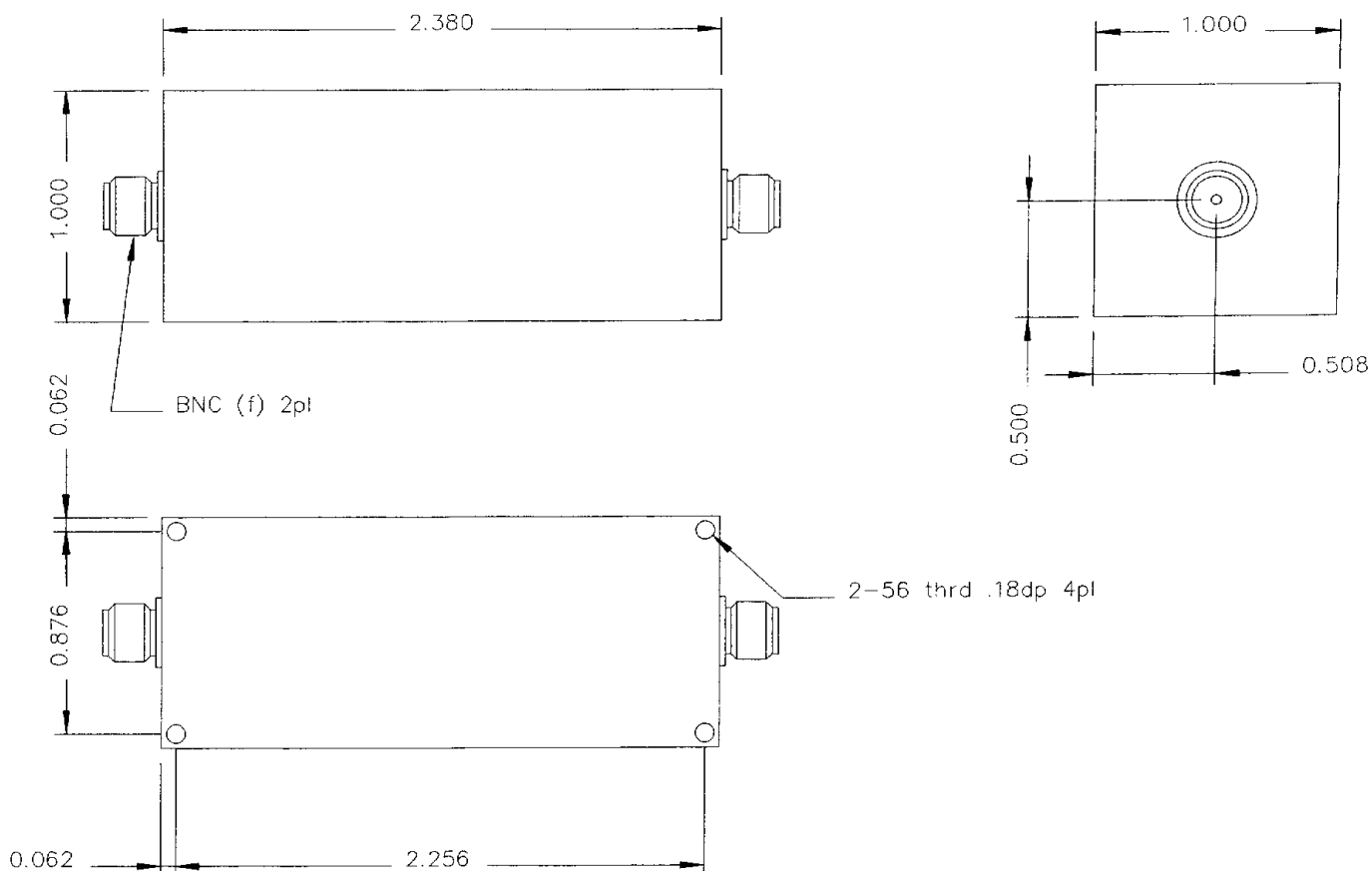
## Mechanical

**Connector Type:** BNC (F)  
**Dimensions:** 2.38 x 1.0 x 1.0 inches

## Environmental

**Operating Temperature:** -55 to +85° C  
**Shock:** 30 G. 11ms  
**Vibration:** 10 G. 5 to 1000 Hz

## Outline Drawing:



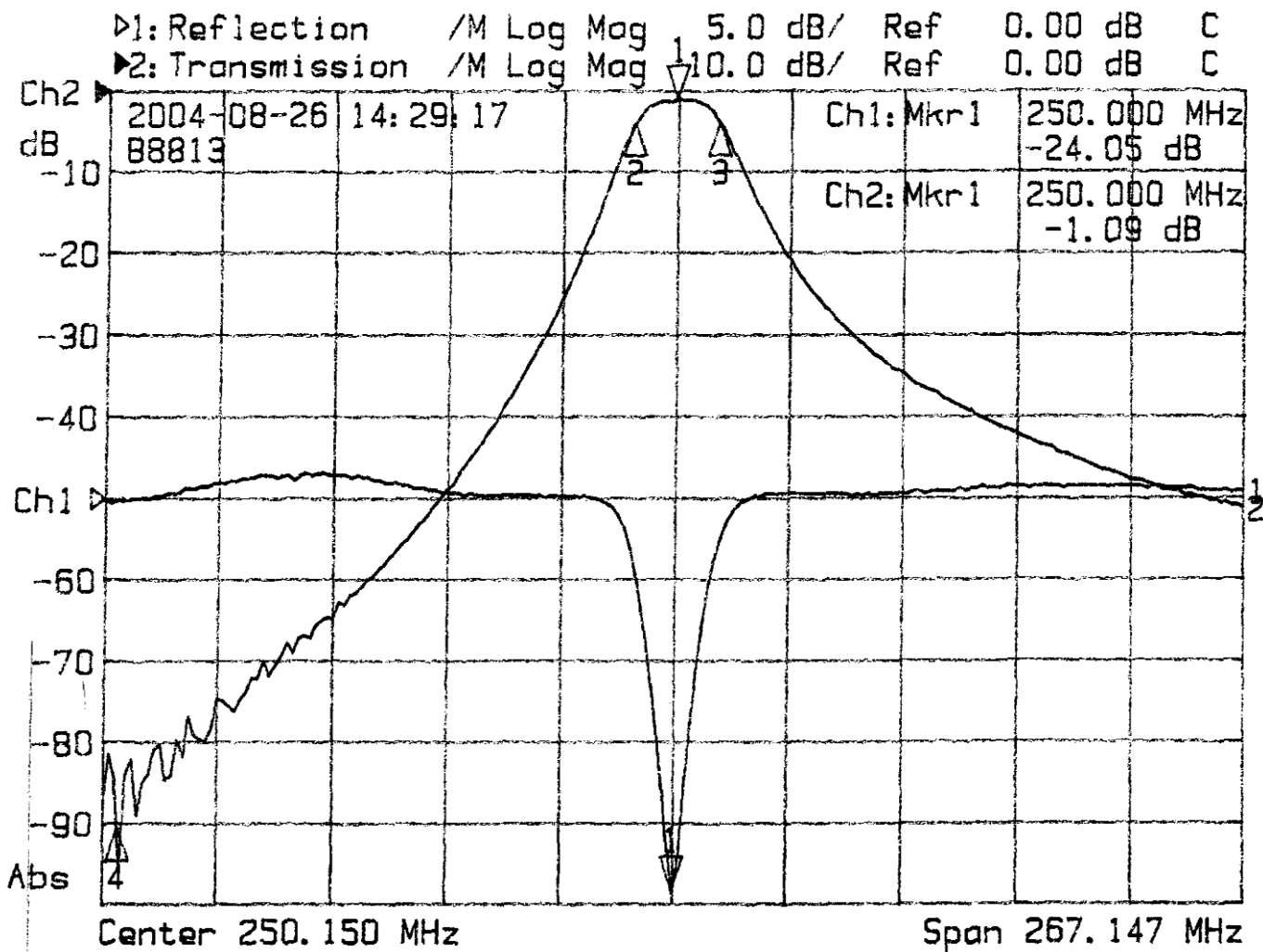


# 250 MHz LC Bandpass Filter

Part Number: AE250B8813



Plot:



1: Mkr (MHz)	dB	2: Mkr (MHz)	dB
1> 250.00	-24.05	1> 250.00	-1.09
		2: 240.00	-4.04
		3: 260.00	-4.09
		4: 120.00	-90.73