



Electrical Specifications

Pass Band: 3dB BW 214.5 Min to 225.5 Max MHz
Insertion Loss: 8.0 dB @ 220 MHz
In/Out VSWR: 1.25:1 Max @ 220 MHz
Stopband: 80 dB @ 240 MHz
 90 dB Design Goal @ 240 MHz
 40 dB BW 24 Max MHz

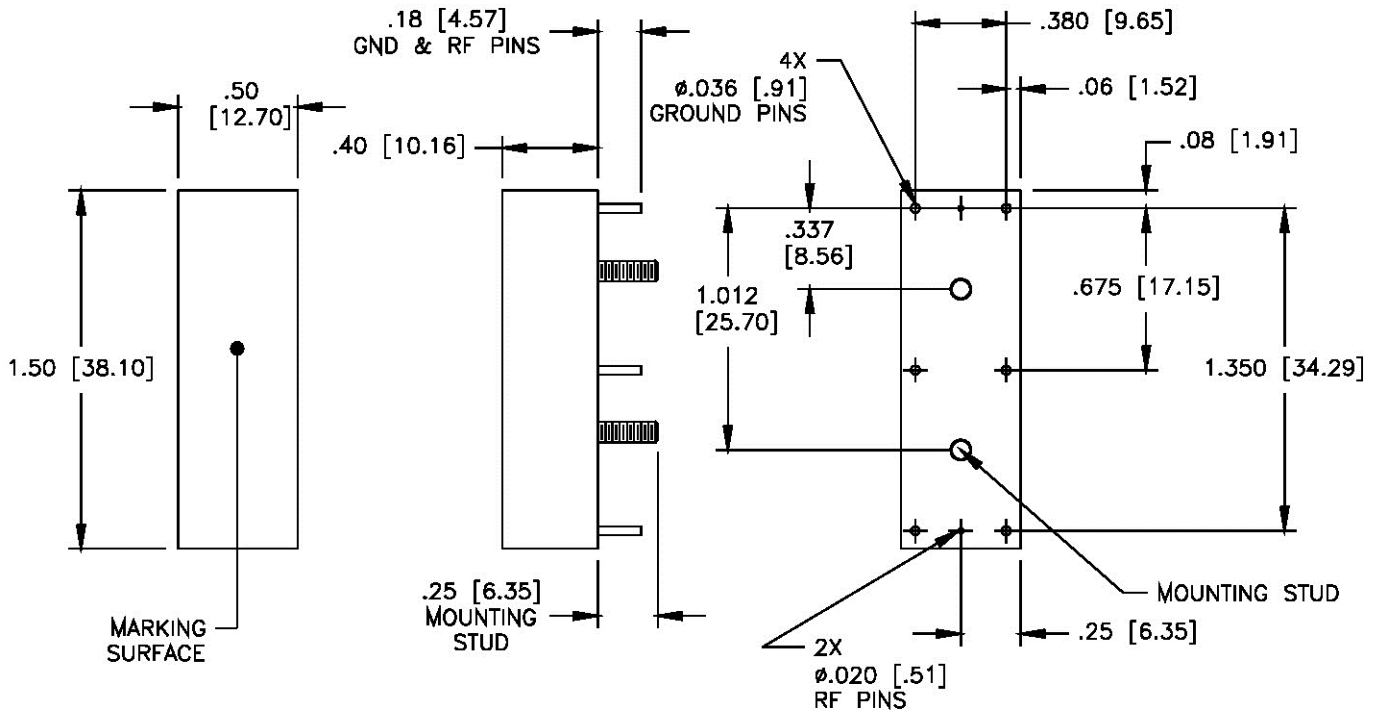
Mechanical

Connector Type: RF Pins
Dimensions: 1.50 x 0.50 x 0.40 Inches

Environmental

Operating Temperature: -30 to +85° C
Storage Temperature: -40 to +95° C
Shock: 20 G. 11 ms
Vibration: 20 G. 5 to 200 MHz

Outline Drawing:



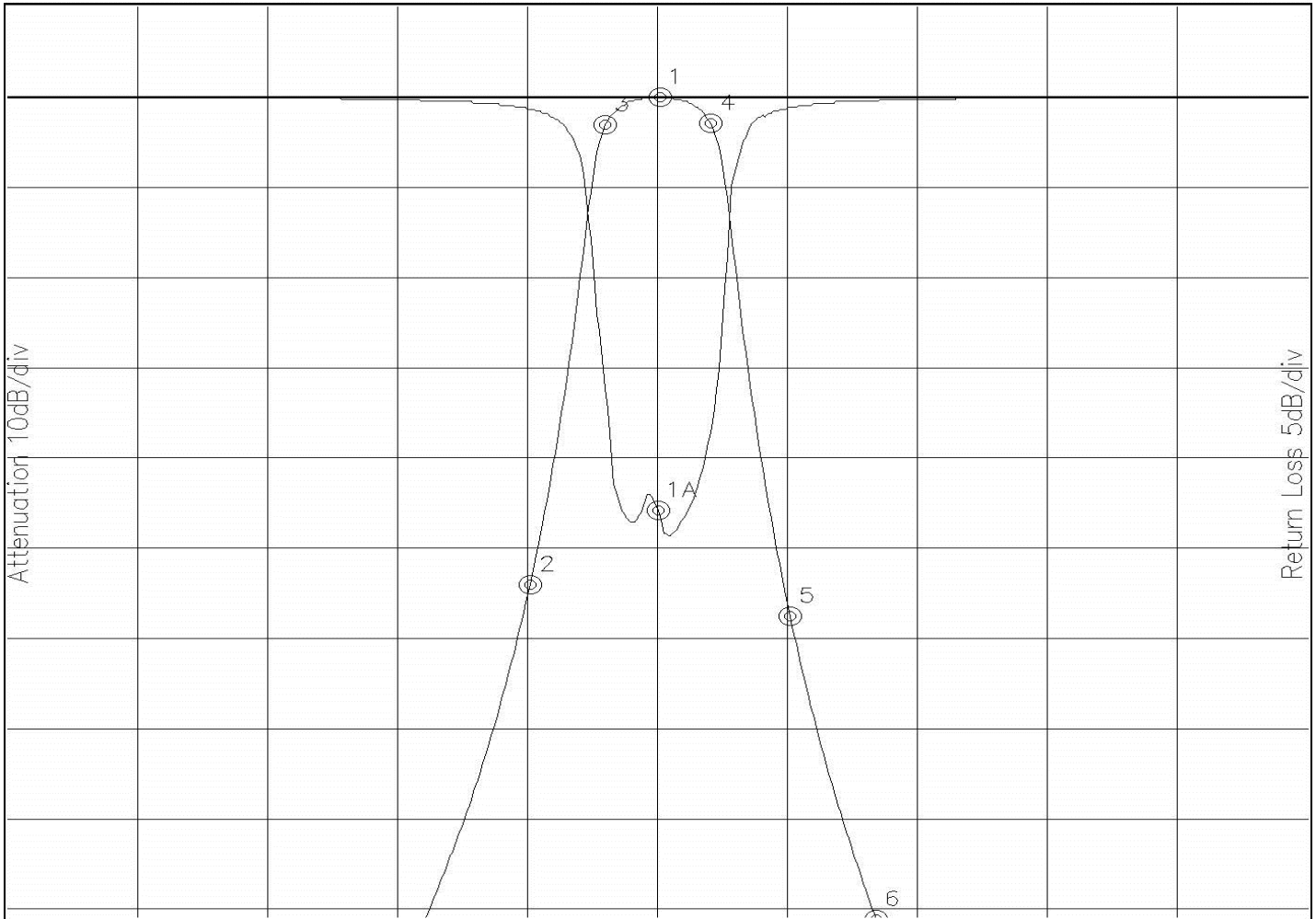


Response Plot:

A513.lad

DEC 16, 2015

Attenuation/Return Loss



Attenuation Start: 160.0MHz Stop: 280.0MHz

Return Loss Start: 160.0MHz Stop: 280.0MHz

Offset -6.0869dB

- Marker 1 Freq 220.09MHz Atten 0.052dB
- Marker 2 Freq 208.07MHz Atten -53.848dB
- Marker 3 Freq 215.05MHz Atten -3.044dB
- Marker 4 Freq 224.75MHz Atten -2.826dB
- Marker 5 Freq 232.11MHz Atten -57.296dB
- Marker 6 Freq 240.06MHz Atten -90.772dB

Marker 1A Freq 219.90MHz Ret Loss -22.833dB