



# 1059 MHz Cavity Bandpass Filter

**Part Number: AB1059B930**



## Electrical specifications

**Center Frequency:** 1059 MHz  
**Bandwidth (BW):** 18 MHz nom.  
**Insertion Loss in BW:** 2.3 dB max  
**Return Loss:** 18 dB min  
**Rejection 1:** 45 dBc@1040.5 MHz  
**Rejection 2:** 45 dBc@1082.5 MHz  
**Impedance:** 50 Ohms In/Out  
**Power Handling:** 200 W-CW

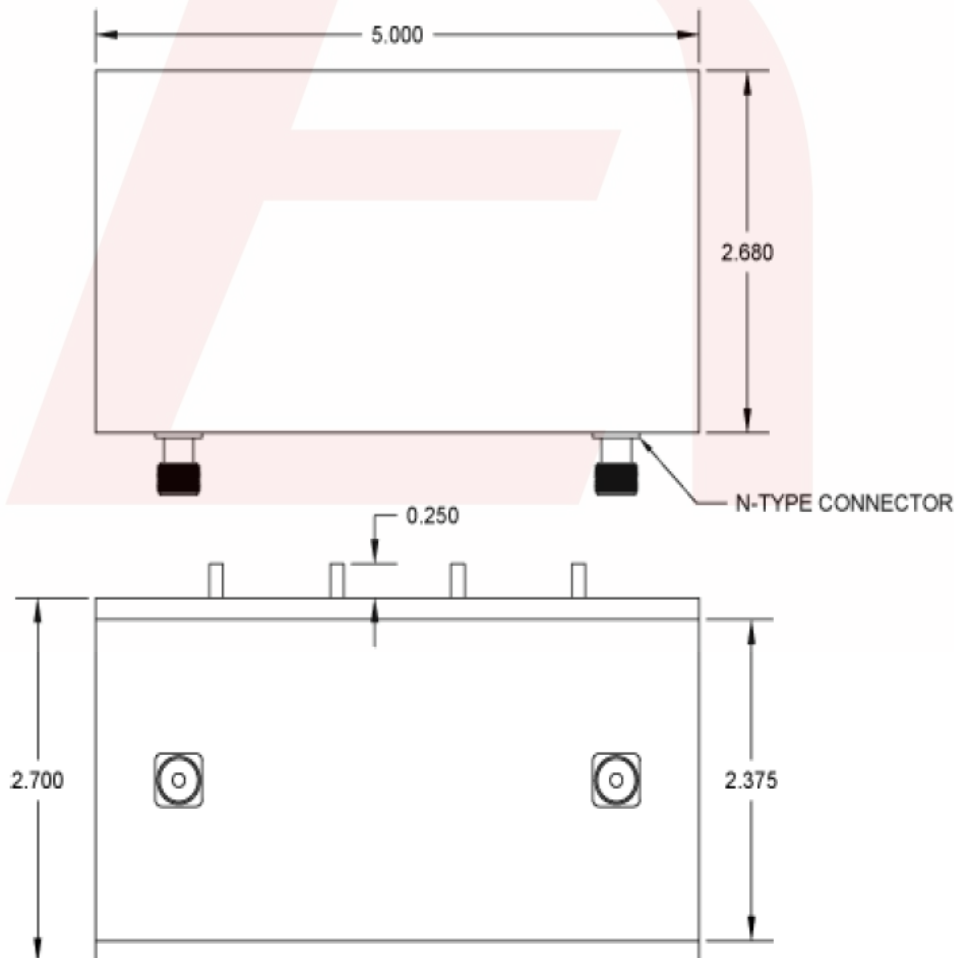
## Mechanical

**Mounting Method:** Threaded Mounting Holes  
**Connector Type:** N Female  
**Dimensions:** 5.00" X 2.60" X 2.70" in

## Environmental

**Operating Temperature:** -45 to +85° C  
**Storage Temperature:** -55 to +95° C  
**Shock:** 20 G. 11ms  
**Vibration:** 20 G. 5 to 200 MHz

## Outline Drawing:



DS-B930-03152018-Rev0



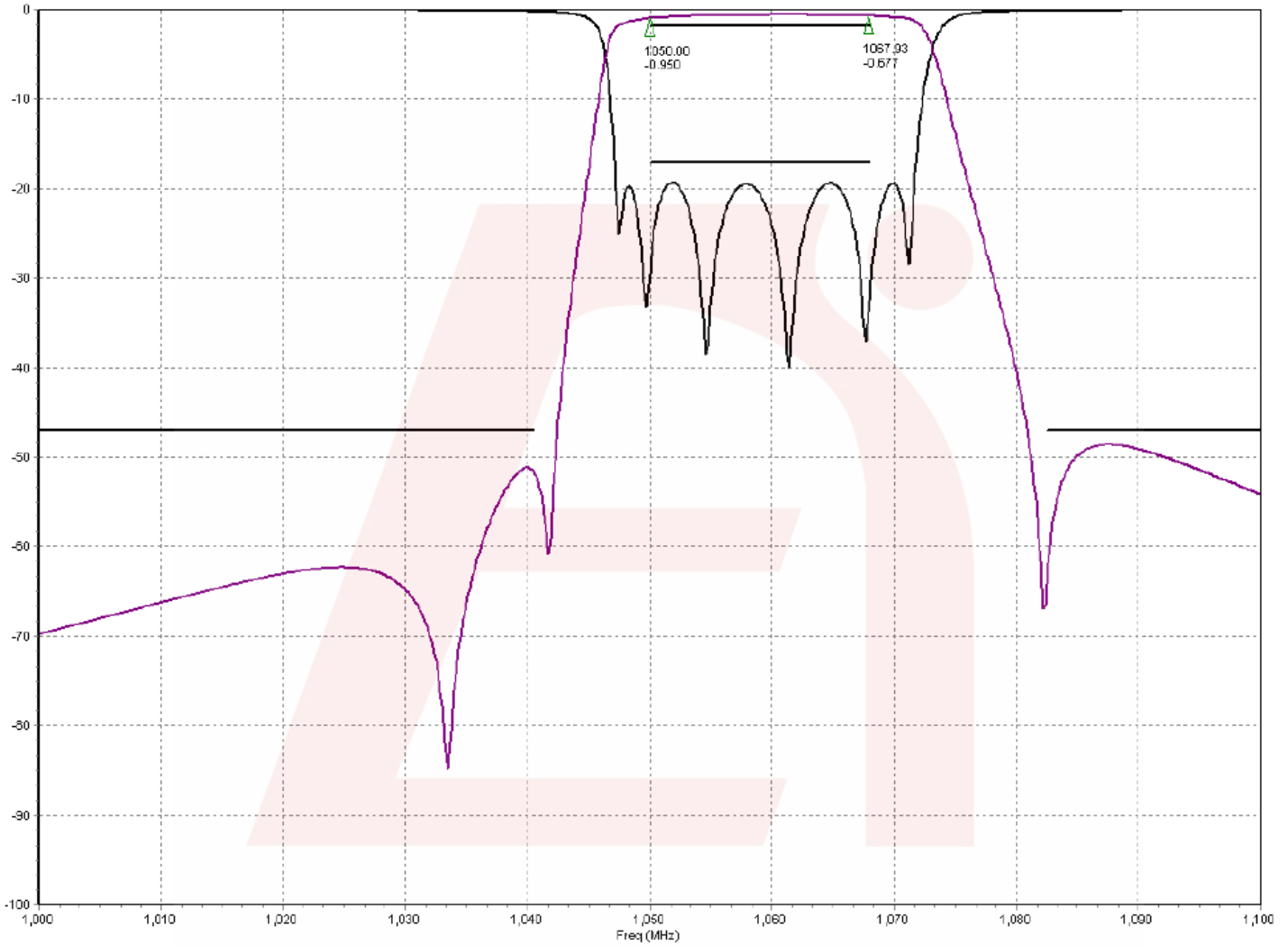
**ANATECH ELECTRONICS INC**  
RF & Microwave Filters & Products

# 1059 MHz Cavity Bandpass Filter

**Part Number: AB1059B930**



**Plot:**



DS-B930-03152018-Rev0