



Electrical Specifications

Center Frequency: 60 MHz
1.0 dB Bandwidth: 4.0 MHz Min
3.0 dB Bandwidth: 7 MHz Max
Insertion Loss: 6.5 dB Max at Fo
Pass Band Ripple: ±0.25 dB Max
VSWR: 1.50:1 Max
Phase Linearity: ±2.0° Max at 58-62 MHz
Stop Band Attenuation: >50 dBc @ 50 and 70 MHz
Power Handling: +30 dBm CW Min, +33 dBm peak min.

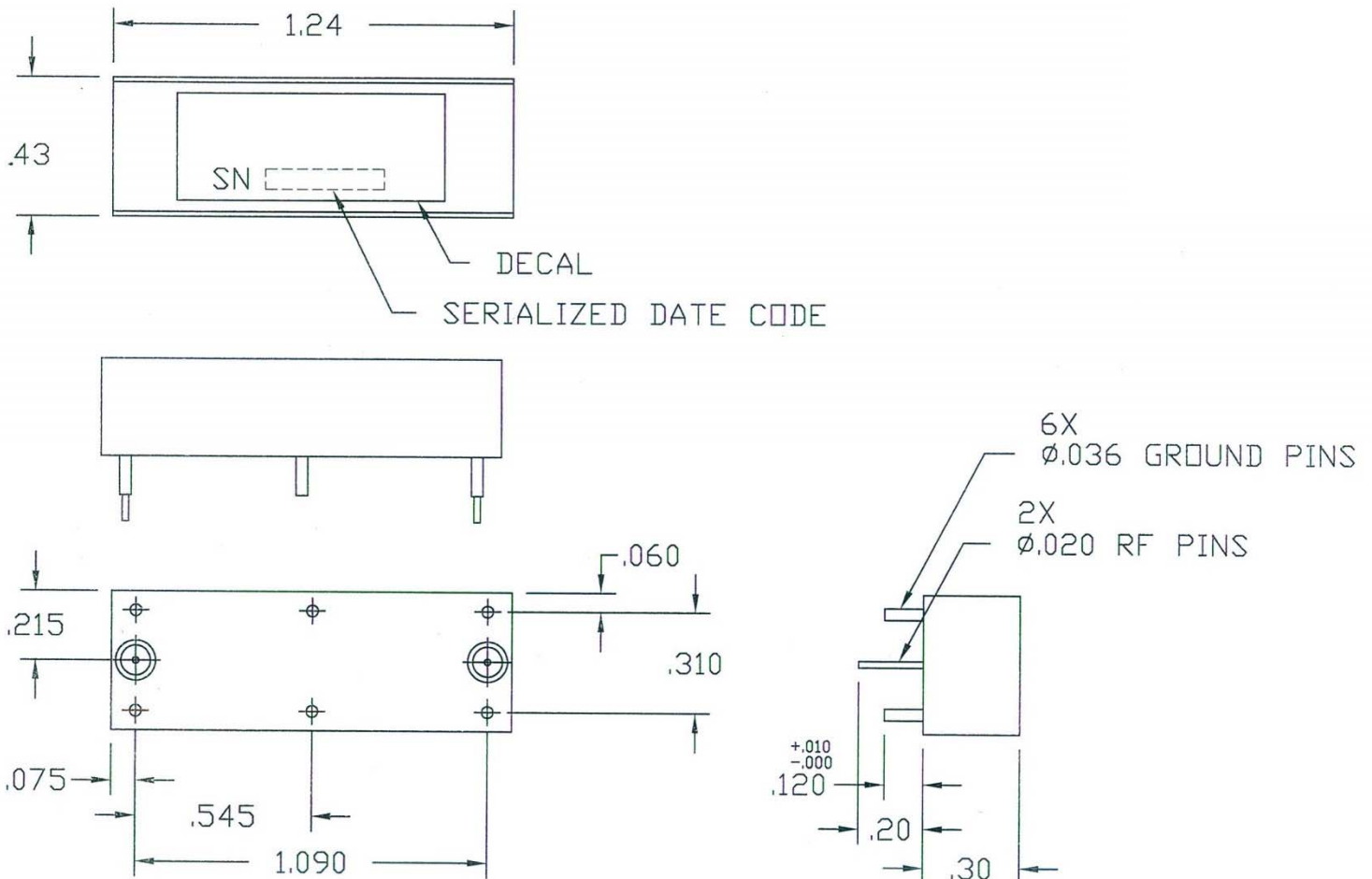
Mechanical

Connector Type: RF Pins
Dimensions: 1.24 x 0.43 x 0.30 Inches

Environmental

Operating Temperature: -20 to +60° C
Storage Temperature: -40 to +85° C
Shock: 20 G. 11 ms
Vibration: 20 G. 5 to 200 MHz

Outline Drawing:



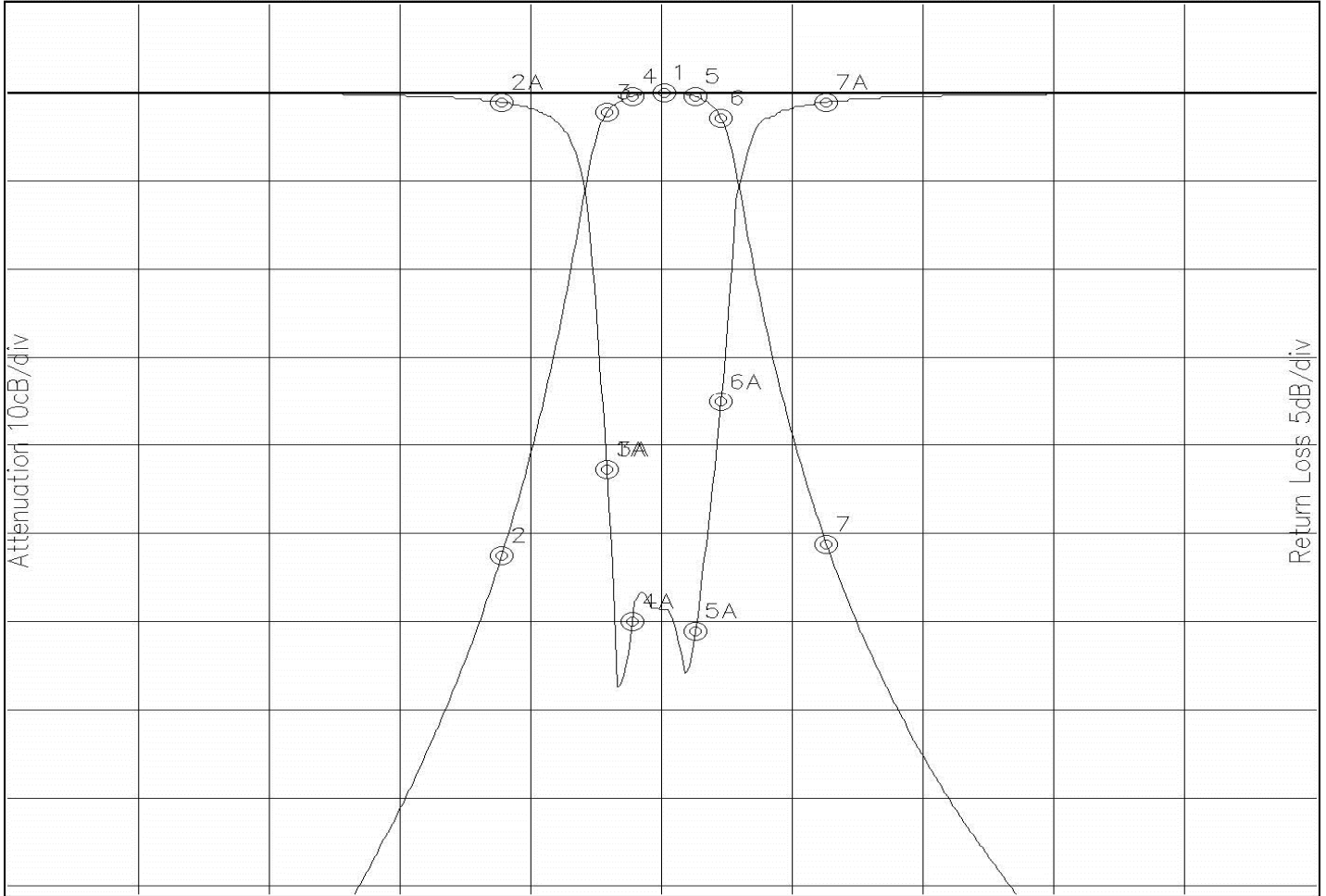


Response Plot:

A504.lad

DEC 2, 2015

Attenuation/Return Loss



Attenuation Start: 20.0MHz Stop: 100.0MHz

Return Loss Start: 20.0MHz Stop: 100.0MHz

Offset -4.7826dB

Marker 1 Freq 60.065MHz Atten 0.091dB
 Marker 2 Freq 50.113MHz Atten -52.386dB
 Marker 3 Freq 56.575MHz Atten -2.200dB
 Marker 4 Freq 58.126MHz Atten -0.330dB
 Marker 5 Freq 62.003MHz Atten -0.397dB
 Marker 6 Freq 63.554MHz Atten -2.737dB
 Marker 7 Freq 70.016MHz Atten -51.034dB

Marker 1A Freq 60.065MHz Ret Loss -21.258dB
 Marker 2A Freq 50.113MHz Ret Loss -0.513dB
 Marker 3A Freq 56.575MHz Ret Loss -21.258dB
 Marker 4A Freq 58.126MHz Ret Loss -29.914dB
 Marker 5A Freq 62.003MHz Ret Loss -30.480dB
 Marker 6A Freq 63.554MHz Ret Loss -17.490dB
 Marker 7A Freq 70.016MHz Ret Loss -0.501dB

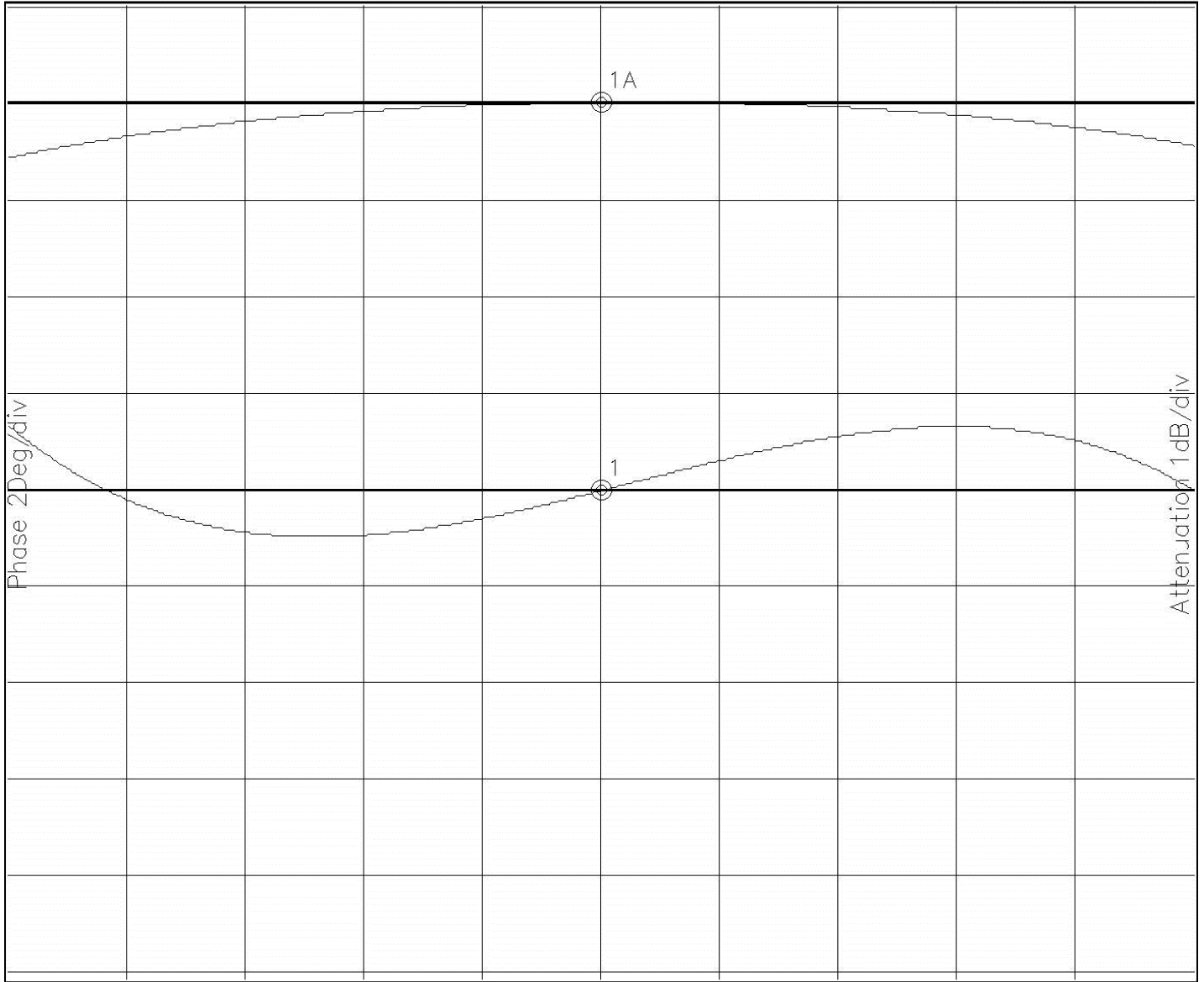


Phase:

A504.lad

DEC 2, 2015

Phase/Attenuation



Phase Start: 58.0MHz Stop: 62.0MHz

Attenuation Start: 58.0MHz Stop: 62.0MHz

Offset -334.6Deg

Offset -4.8913dB

Marker 1 Freq 59.997MHz Phase -0.020Deg

Marker 1A Freq 59.997MHz Atten 0.001dB