



3 GHz Cavity Bandpass Filter

Part Number: AB3000B509



Electrical specifications

Center Frequency: (Fc): 3 GHz
Bandwidth: 80 MHz
Input / Output Impedance: 50 Ohms
Passband Insertion Loss: 3 dB max
Passband Ripple: <0.2 dB
Passband Return Loss: 15 dB min
Rejection: 30dB @ Fc +/- 50 MHz min
Power Handling: 40 W

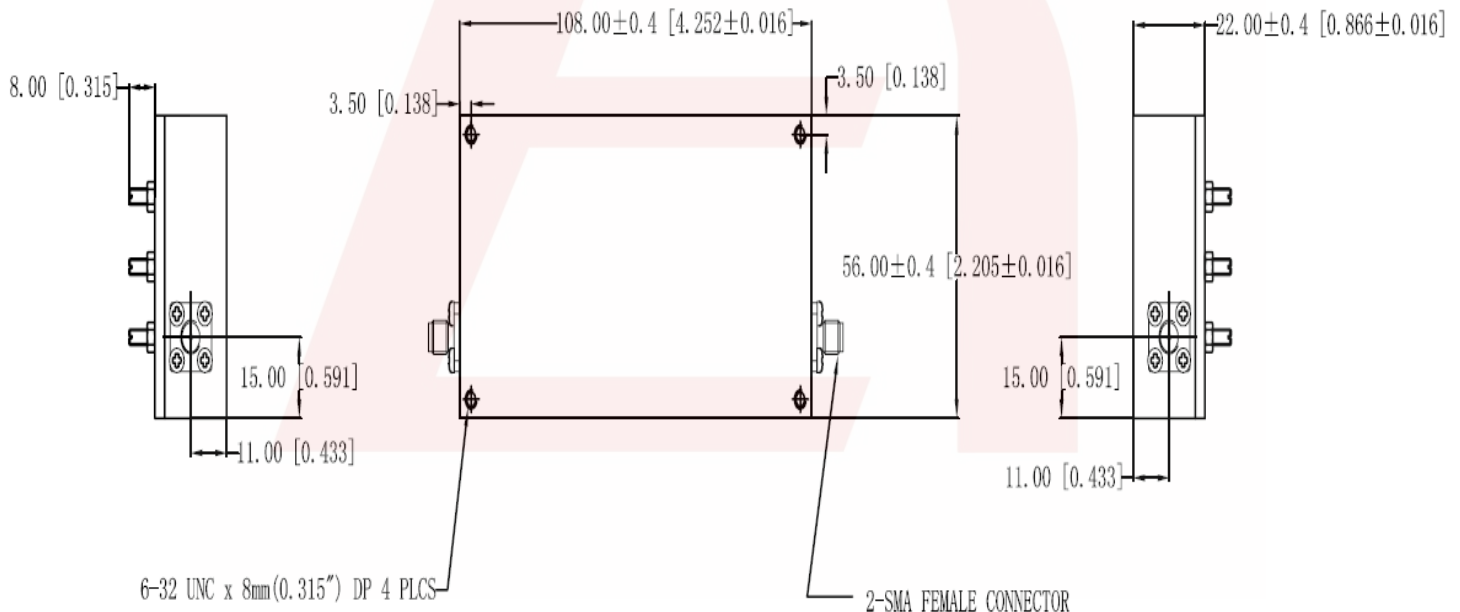
Mechanical

Mounting Method: Threaded Mounting Holes
Connector Type: SMA (F)
Dimensions: 108mm x 56mm x 30mm

Environmental

Operating Temperature: 0 to +50 deg.C
Storage Temperature: -55 to +95 deg.C
Shock: 20 G. 11ms
Vibration: 20 G. 5 to 200 MHz

Outline Drawing:





3 GHz Cavity Bandpass Filter

Part Number: AB3000B509



Response Plot:

