



Electrical specifications

Operating bandwidth: 1865~1960 MHz
Insertion loss: =/ $<$ 1.0 dB
Return loss: =/ $>$ 18 dB
Rejection: $>$ 21 dB@DC~1835 MHz
Impedance: 50 Ohms In/Out
Average power handling: =/ $<$ 40 Watts
Peak power handling: =/ $<$ 1.4 KW
IMD3@1770MHz: 100 dBm@2x43 dBm
IMD3@1675MHz: 110 dBm@2x43 dBm

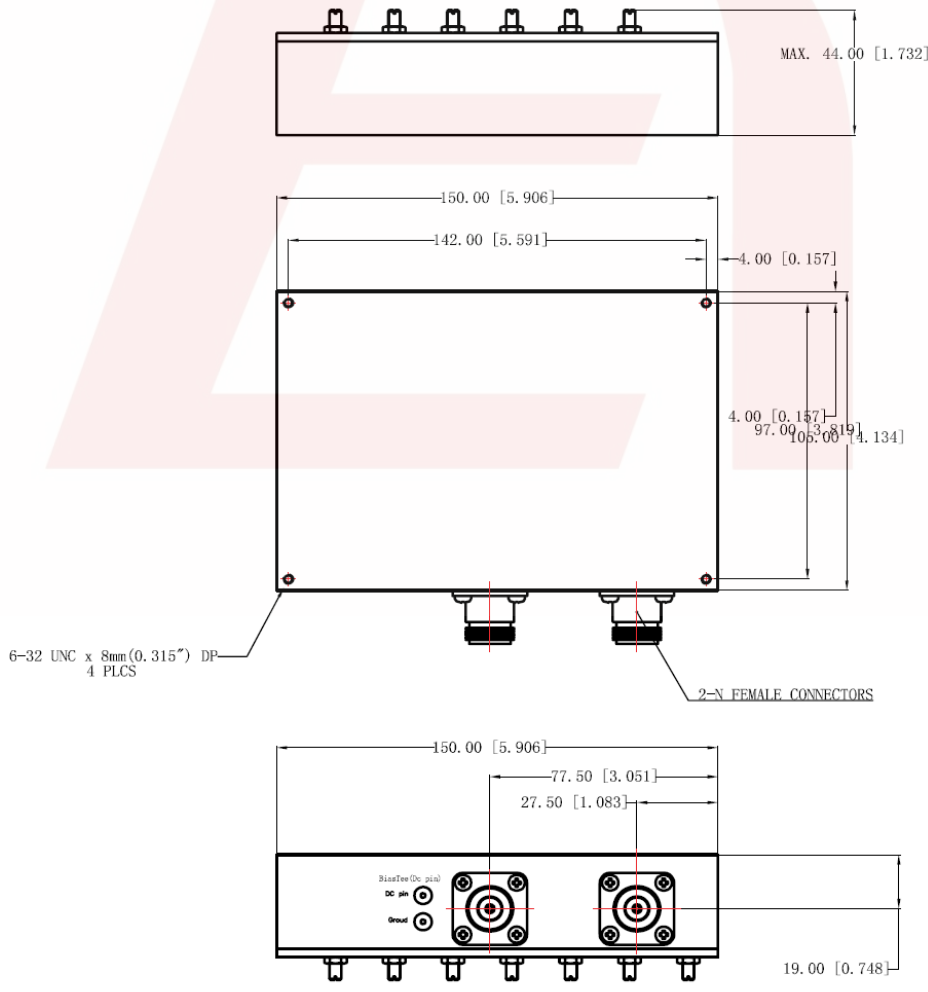
Mechanical

Mounting Method: Threaded Mounting Holes
Connector Type: N-Type Female
Dimensions: 5.90" x 4.13" x 1.73" in

Environmental

Operating Temperature: -45 to +85° C
Storage Temperature: -55 to +95° C
Shock: 20 G. 11ms
Vibration: 20 G. 5 to 200 Hz

Outline Drawing:



DS-B713-03152018-Rev0



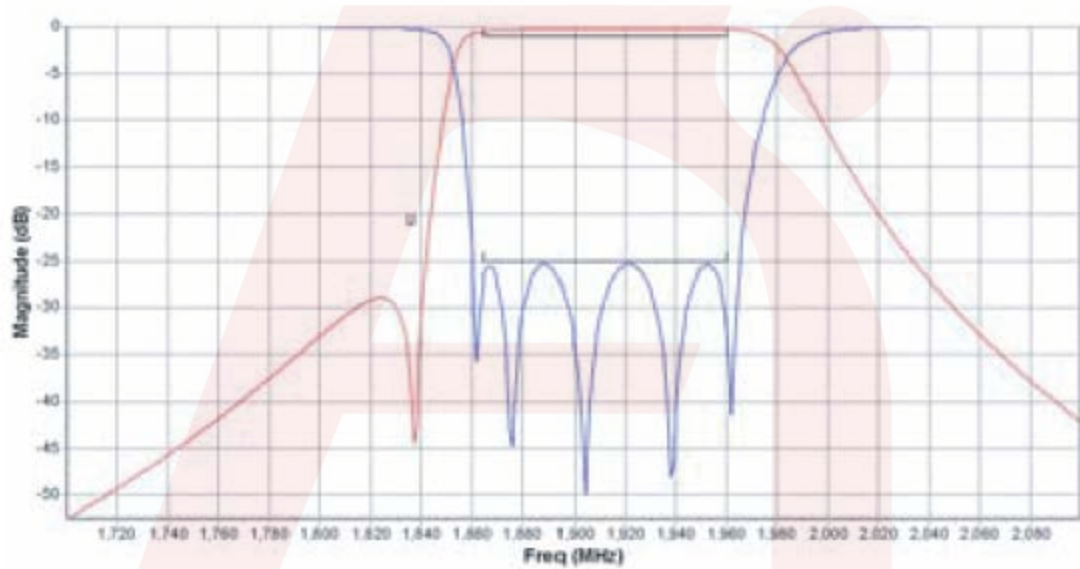
ANATECH ELECTRONICS INC
RF & Microwave Filters & Products

1912 MHz Cavity Bandpass Filter

Part Number: AB1912B713



Plot:



DS-B713-03152018-Rev0