



Electrical Specifications

Center Frequency: 515.6 MHz
Bandwidth: 182 MHz
Passband : 433 MHz to 614.5 MHz
Insertion Loss: $\leq 4.0\text{dB}$ @ 515.6 MHz
Return Loss: $>14\text{dB}$ @ 515.6 MHz
Rejection: $>40\text{dB}$ @ 366 MHz
Rejection2: $>40\text{dB}$ @ 762 MHz
Impedance: 50 Ohms

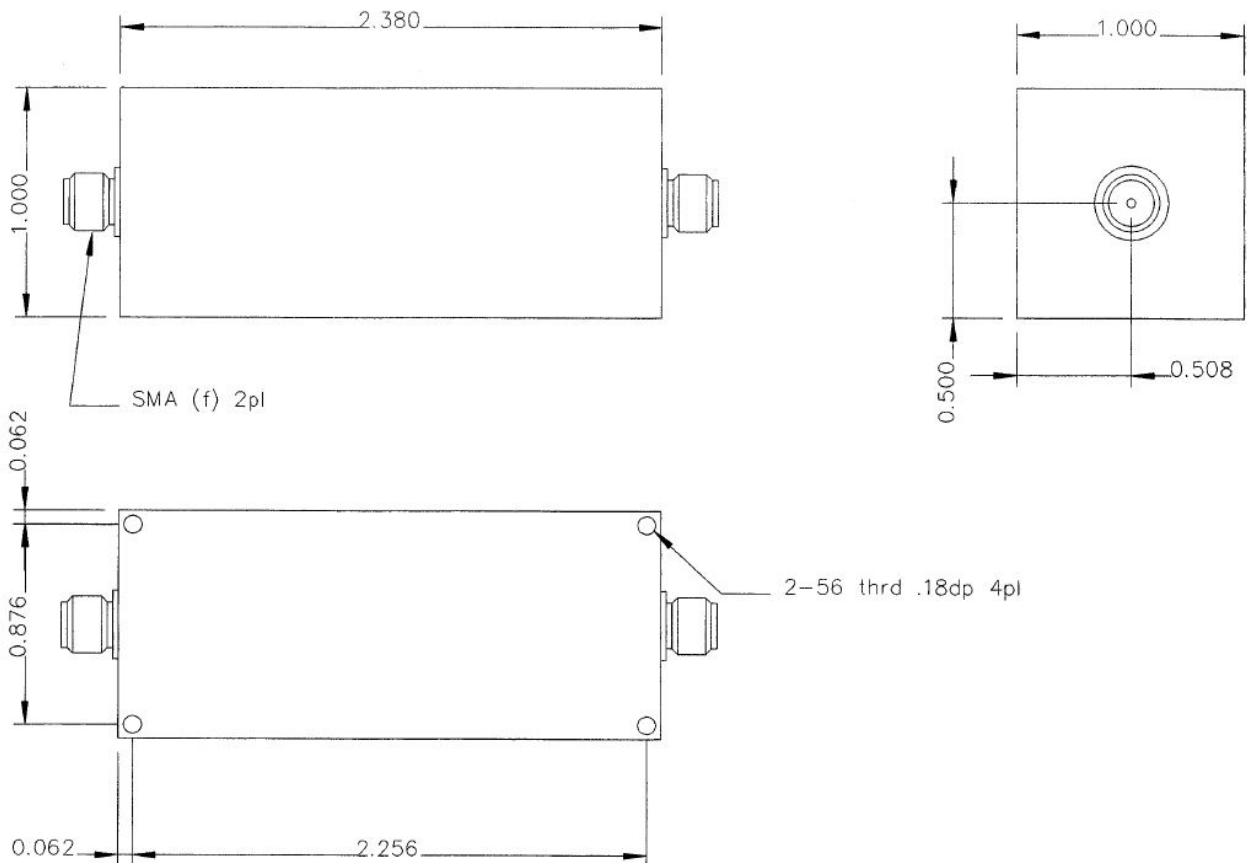
Mechanical

Mounting Method: Threaded Mounting
Connector Type: SMA(F)
Dimensions: 2.38" x 1.00" x 1.00" in.

Environmental

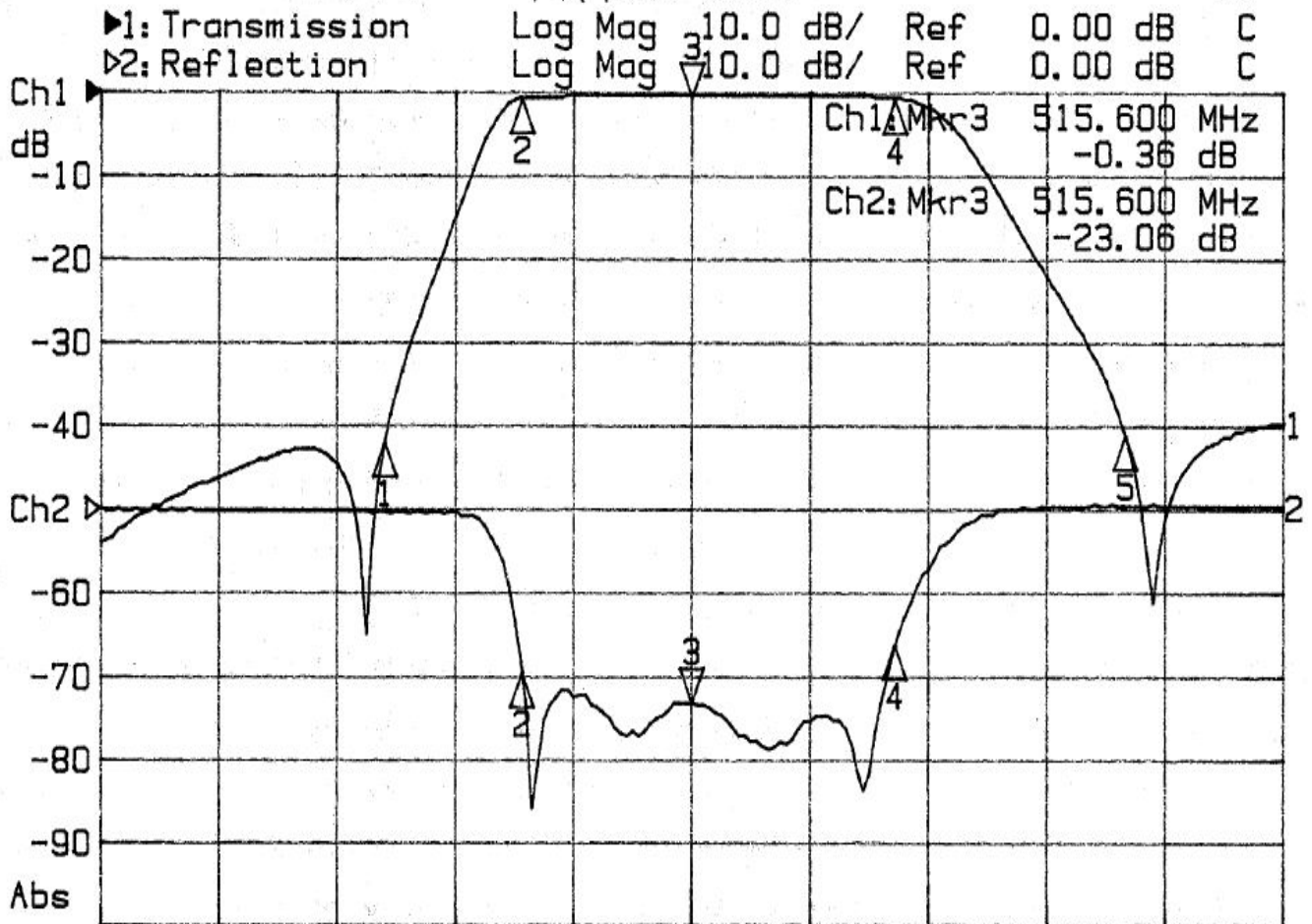
Operating Temperature: -25°C to $+70^{\circ}\text{C}$
Storage Temperature: -40°C to $+90^{\circ}\text{C}$
Shock: 10 G. 11ms
Vibration: 10 G. 5 to 200Hz

Outline Drawing:





Response Plot:



Center 515.600 MHz Span 575.000 MHz
 Center 515.600 MHz Span 575.000 MHz

Marker	Freq (MHz)	Ch 1 (dB)	Ch 2 (dB)
1	366.100	-42.18	
2	433.200	-0.70	-19.42
3	515.600	-0.36	-23.06
4	614.500	-0.67	-16.09
5	726.200	-41.11	
6			
7			
8			