



### Electrical specifications

**Center Frequency:** 2120 MHz  
**Passband:** 2094-2145 MHz  
**Insertion loss over passband:** <1.0 dB  
**Ripple:** <0.1 dB  
**Rejection 1:** >50 dB@0-1745 MHz  
**Rejection 2:** >50 dB@2575-5000 MHz

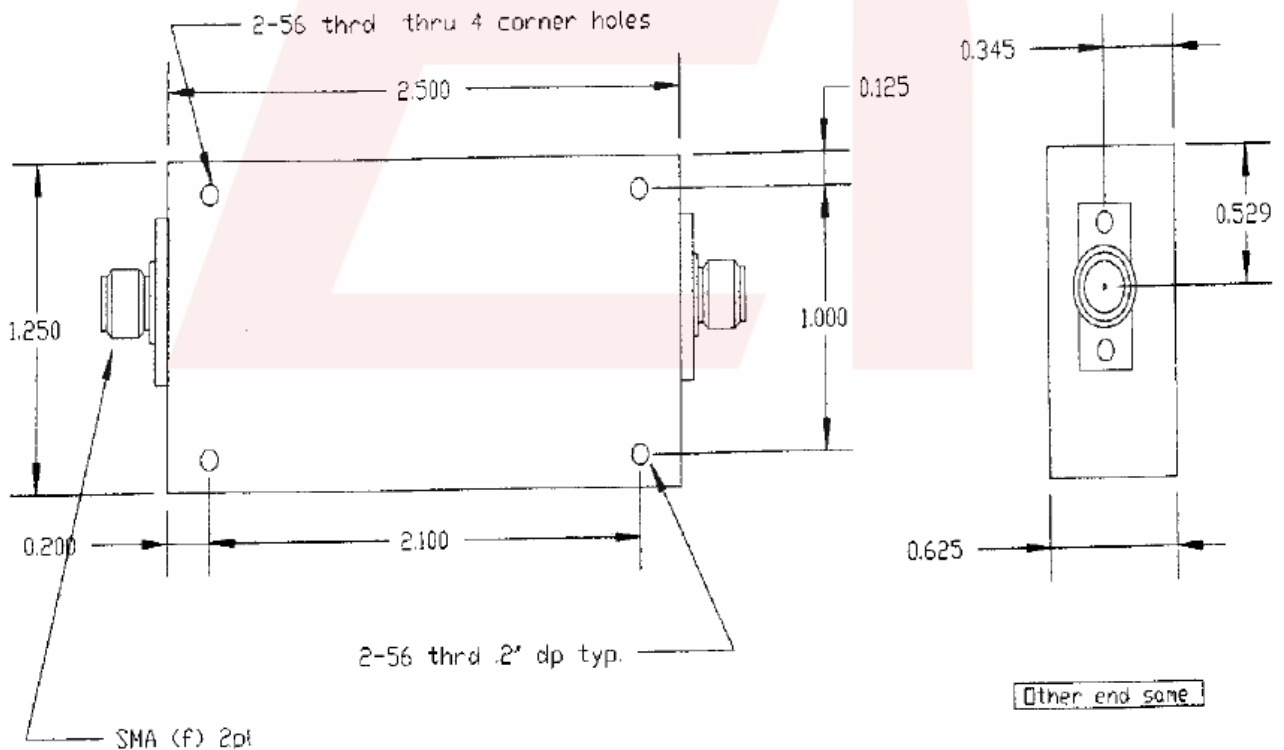
### Mechanical

**Mounting Method:** Threaded Mounting Holes  
**Connector Type:** SMA Female  
**Dimensions:** 2.50" x 1.25" x 0.62" in

### Environmental

**Operating Temperature:** -45 to +85° C  
**Storage Temperature:** -55 to +95° C  
**Shock:** 20 G. 11ms  
**Vibration:** 20 G. 5 to 200 Hz

### Outline Drawing:





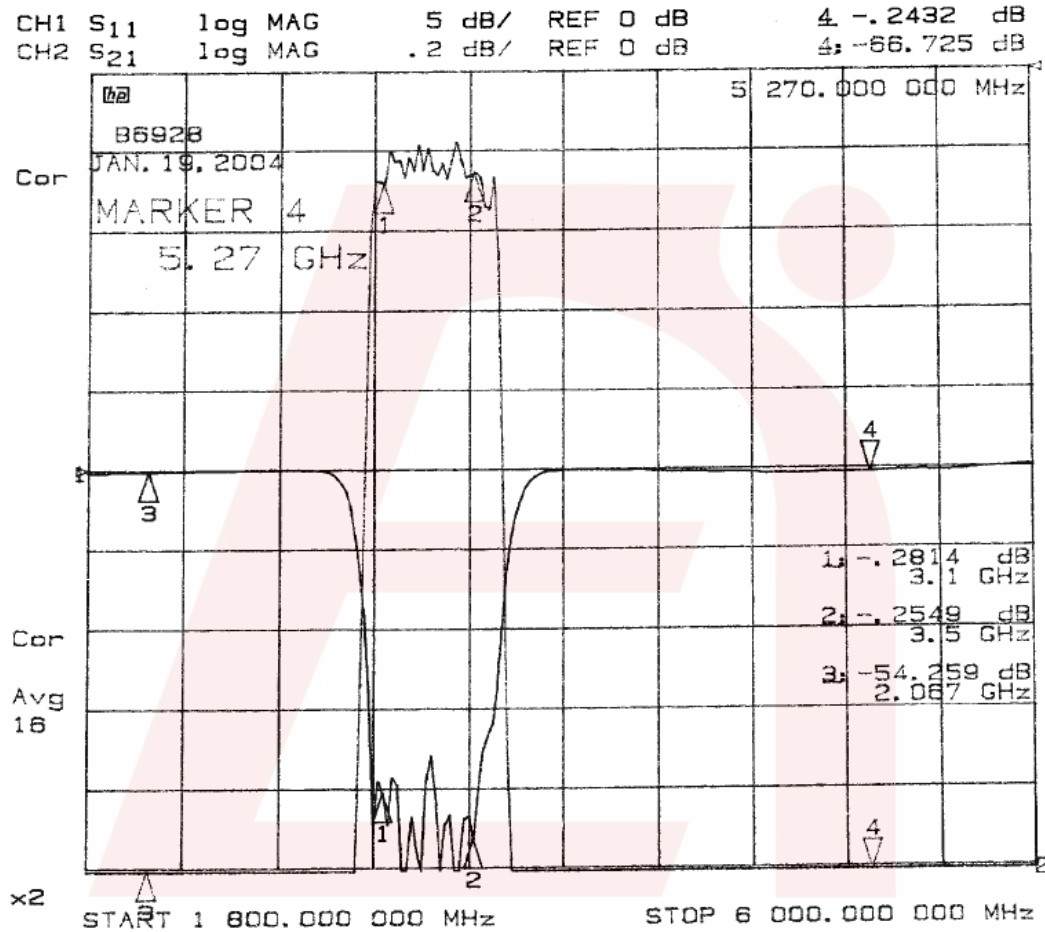
**ANATECH ELECTRONICS INC**  
RF & Microwave Filters & Products

# 2120 MHz Cavity Bandpass Filter

Part Number: AB2120B874



Plot:



DS-B874-03152018-Rev0