



**Electrical Specifications**

**Cutoff Frequency (Fc):** 18 MHz  
**Passband:** 18-600 MHz  
**Insertion Loss @ 36MHz:** 0.5dB Max.  
**Passband Return Loss:** 15dB Min.  
**Rejection:** 49 dB Min. @ 6.85 MHz

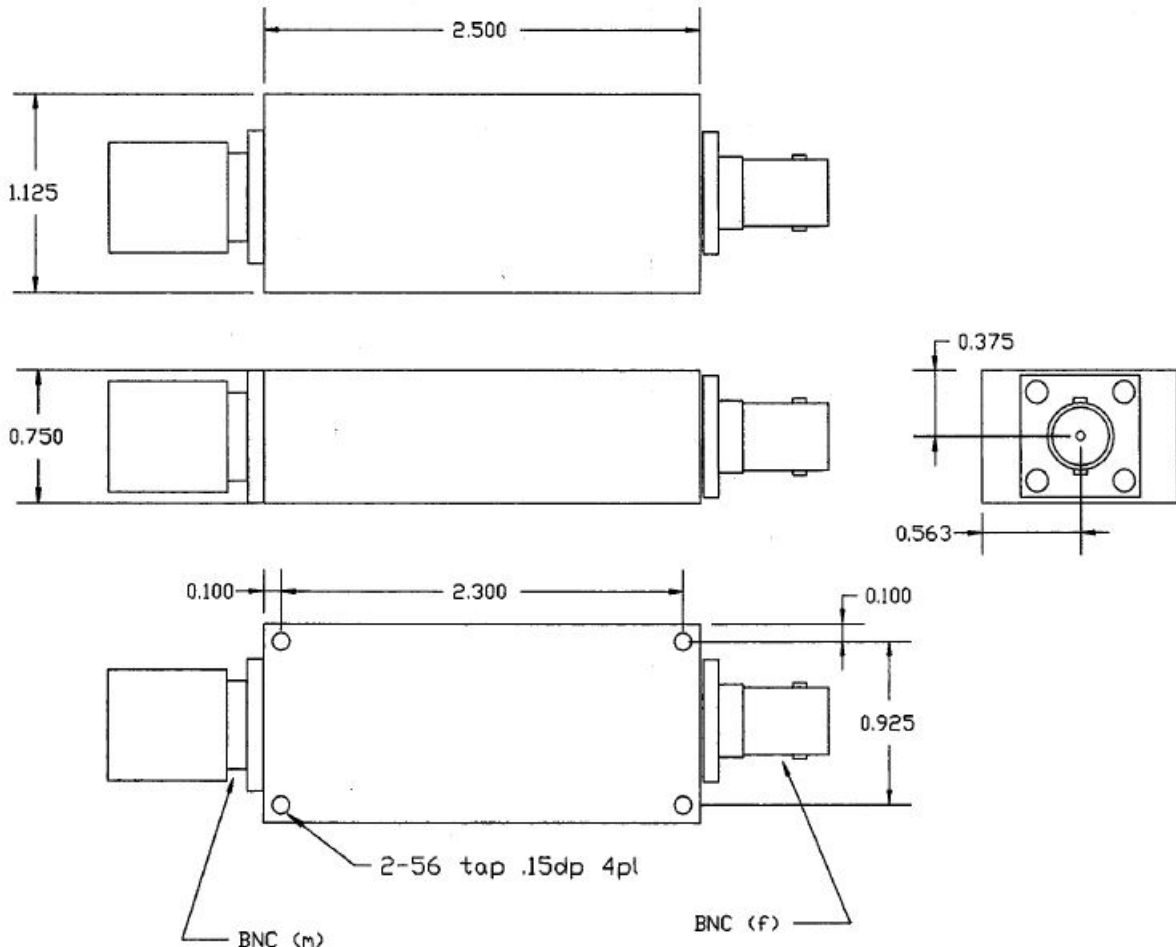
**Mechanical**

**Connector Type:** BNC(M) & BNC(F)  
**Dimensions:** 2.5" x 1.125" x 0.75"

**Environmental**

**Operating Temperature:** -25°C to +70°C  
**Storage Temperature:** -60°C to +90°C  
**Shock:** 10 G. 11ms  
**Vibration:** 10 G. 5 to 200Hz

**Outline Drawing:**





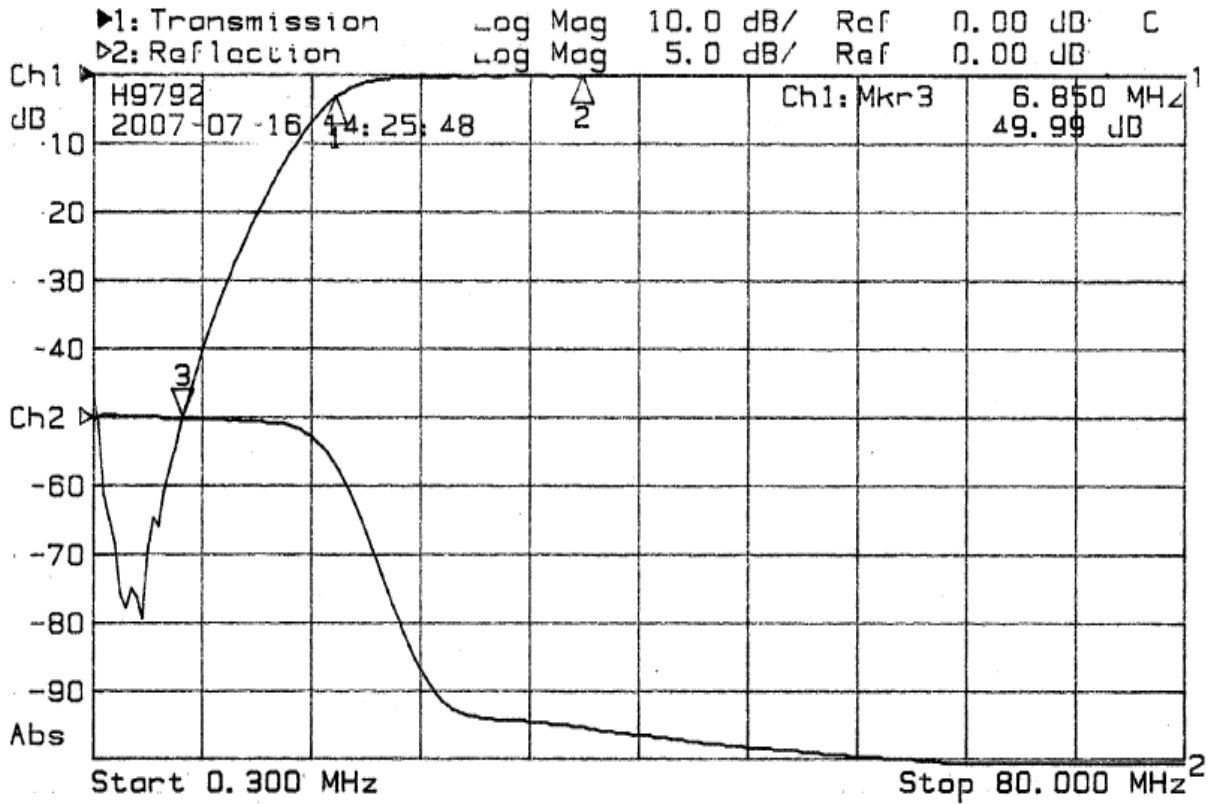
**ANATECH ELECTRONICS INC**  
RF & Microwave Filters & Products

# 18 MHz LC High Pass Filter

**Part Number: AE18H9792**



## Response Plot :



1: Mkr (MHz)	dB	2: Mkr (MHz)	dB
1: 18.00	-3.23		
2: 36.00	-0.15		
3> 6.85	-49.99		

*[Handwritten Signature]*