



Electrical Specifications

Center Frequency: 662 MHz
Pass Band: 626-698 MHz <3 dB Flatness
Insertion Loss: 1.25 dB Max at 662 MHz
Return Loss: 14 dB Min at pass band
Rejection: >50 dB @ 0-562 MHz
 >50 dB @ 772-2000 MHz

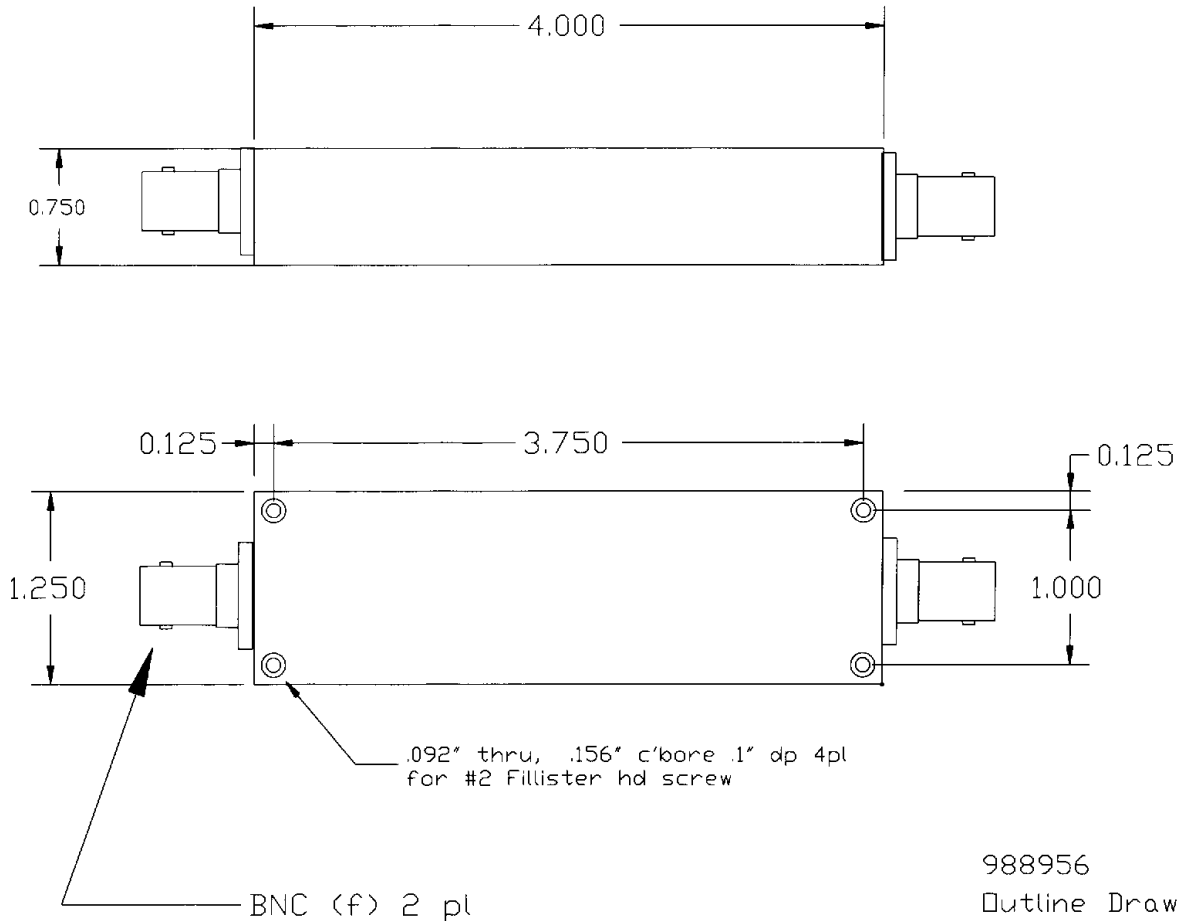
Mechanical

Connector Type: BNC (F)
Dimensions: 4.0 x 0.75 x 1.25 Inches

Environmental

Operating Temperature: -45 to +85° C
Storage Temperature: -55 to +125° C
Shock: 20 G. 11 ms
Vibration: 20 G. 5 to 200 MHz

Outline Drawing:



988956
 Outline Drawing
 (987530)