



ANATECH ELECTRONICS INC
RF & Microwave Filters & Products

13.66 MHz LC Band Pass Filter

Part Number: AE13.66B6202



Electrical Specifications

Center Frequency: 13.66 MHz

Passband: 13.16-14.16 MHz

Insertion Loss: 10.0dB Max.

Return Loss: 14dB Min.

Rejection: $\geq 50\text{dB}$ @ 8.196 MHz

Rejection2: $\geq 40\text{dB}$ @ 9.56 MHz

Rejection3: $\geq 40\text{dB}$ @ 12.29 MHz

Rejection4: $\geq 50\text{dB}$ @ 19.124 MHz

Mechanical

Connector Type: PC-Mount

Dimensions: 1.5" X 0.5" x 0.4" .

Environmental

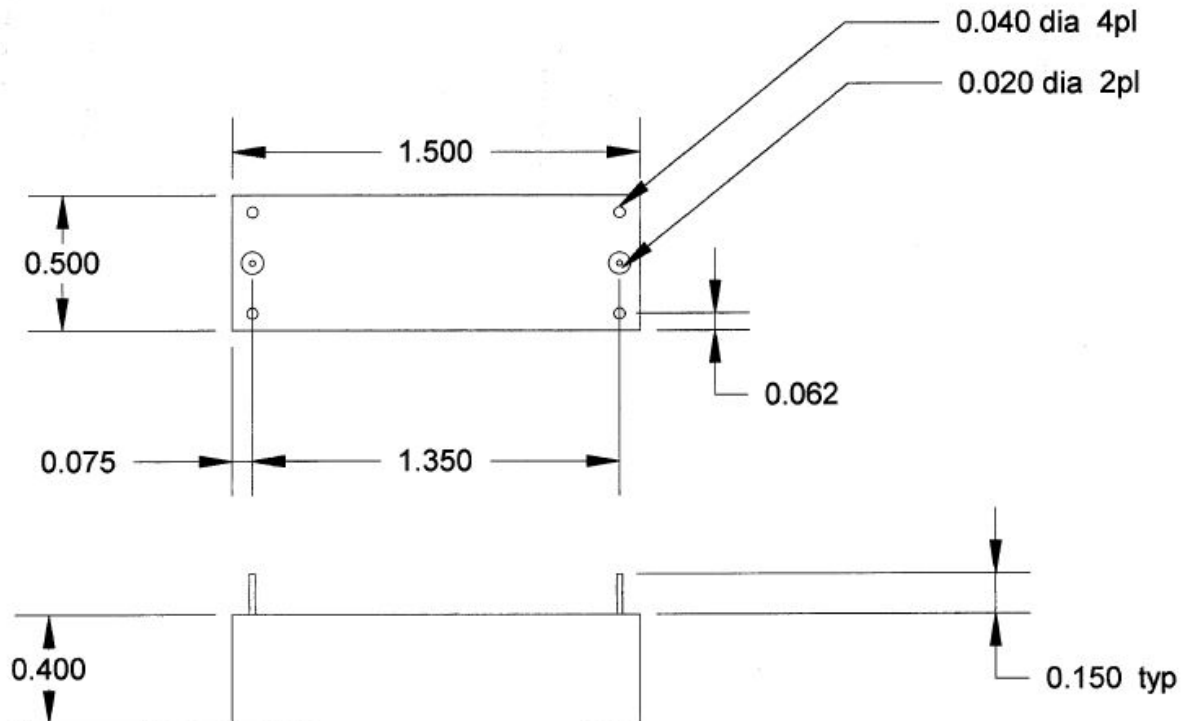
Operating Temperature: -25°C to +70°C

Storage Temperature: -40°C to +90°C

Shock: 10 G. 11ms

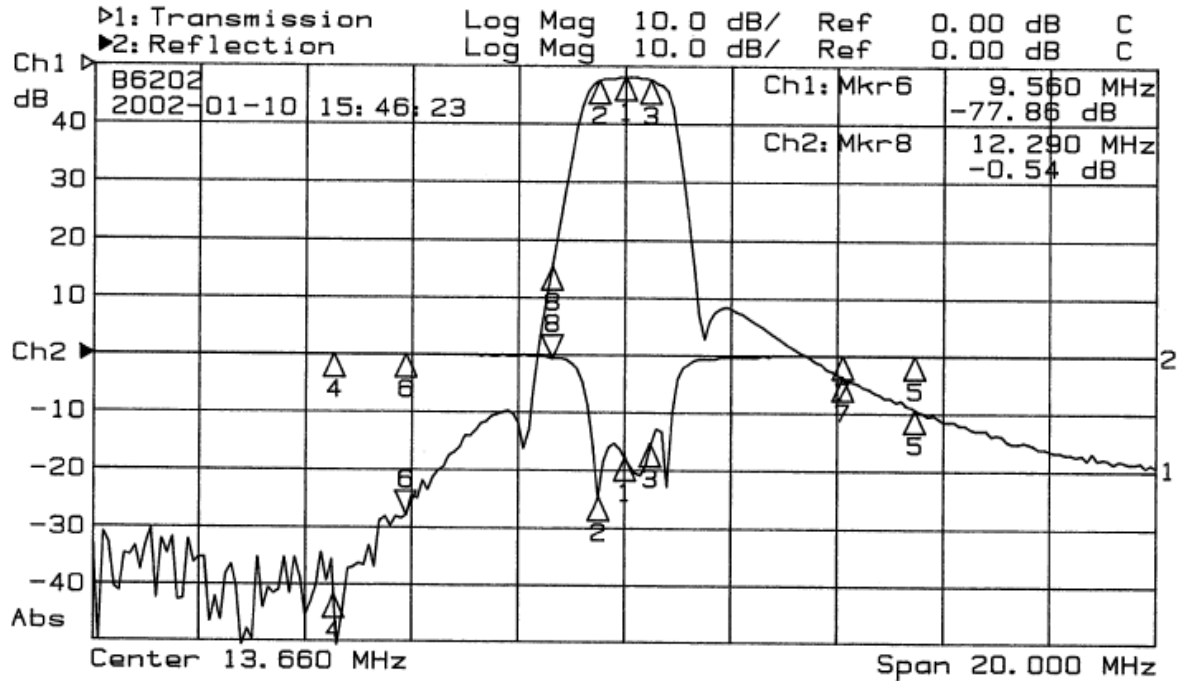
Vibration: 10 G. 5 to 200Hz

Outline Drawing:





Response Plot:



1: Mkr (MHz)	dB	2: Mkr (MHz)	dB		
1:	13.66	-1.97	1:	13.66	-17.83
2:	13.16	-2.58	2:	13.16	-24.75
3:	14.16	-2.55	3:	14.16	-15.32
4:	8.20	-91.96	4:	8.20	-0.05
5:	19.12	-59.46	5:	19.12	-0.04
6>	9.56	-77.86	6:	9.56	-0.09
7:	17.76	-53.84	7:	17.76	-0.04
8:	12.29	-34.63	8>	12.29	-0.54