



## LC Bandpass Filter

Part Number: AE160B5108

Center Frequency: 160MHz

Insertion Loss: <2dB

Passband: 152-168MHz

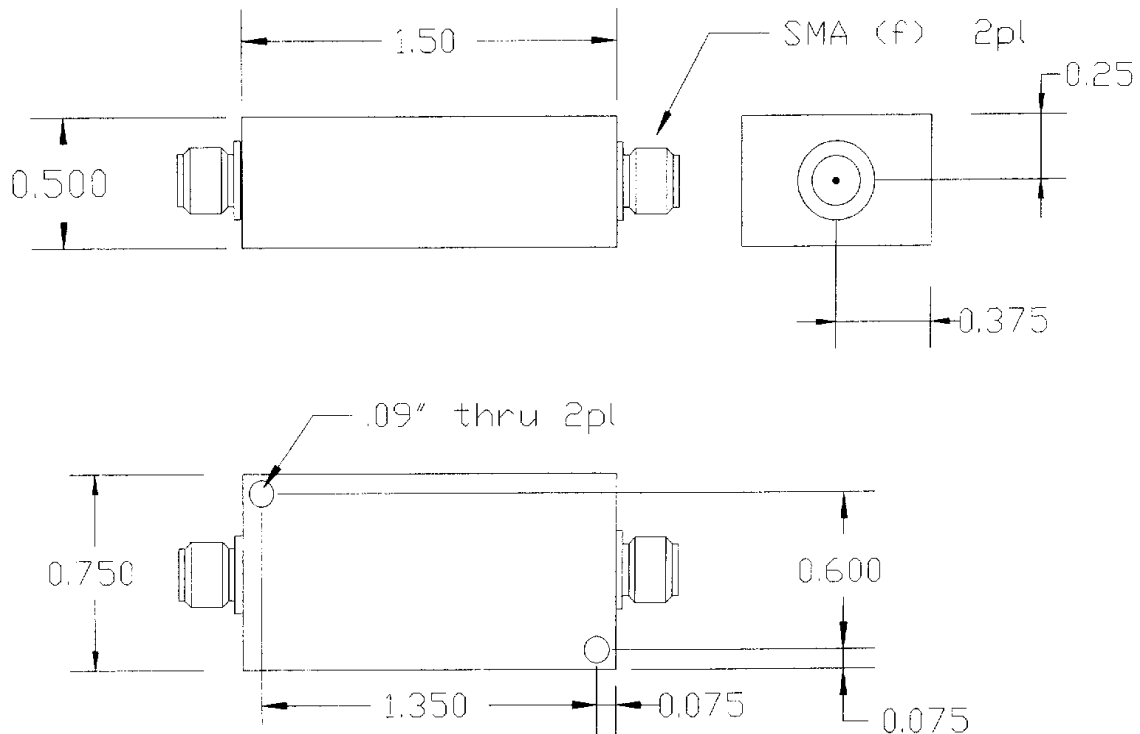
Return Loss @ Passband: >14dB

Rejection: >50dB @ 0-112MHz

>50dB @ 208-1000MHz

Power Handling: 5 Watts

### Outline Drawing:





# LC Bandpass Filter

Part Number: AE160B5108

## Response Plot:

