



### Electrical Specifications

**Cutoff Frequency (Fc):** 12 MHz

**Passband:** 12-40 MHz

**Insertion Loss @ 24MHz:** 0.5dB Max.

**Passband Return Loss:** 15dB Min.

**Rejection:** 49 dB Min. @ 4.06 MHz

### Mechanical

**Connector Type:** BNC(M) & BNC(F)

**Dimensions:** 2.5" x 1.125" x 0.75"

### Environmental

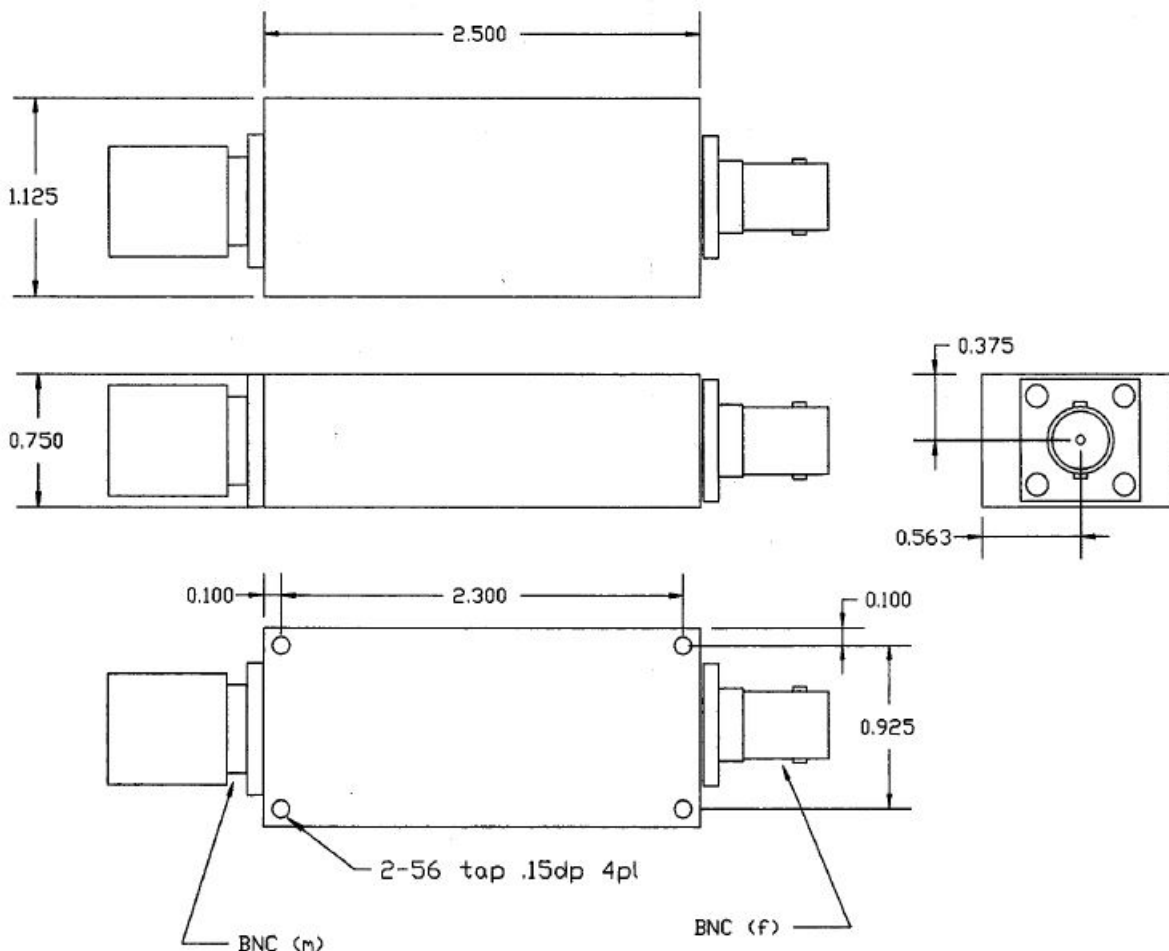
**Operating Temperature:** -25°C to +70°C

**Storage Temperature:** -60°C to +90°C

**Shock:** 10 G. 11ms

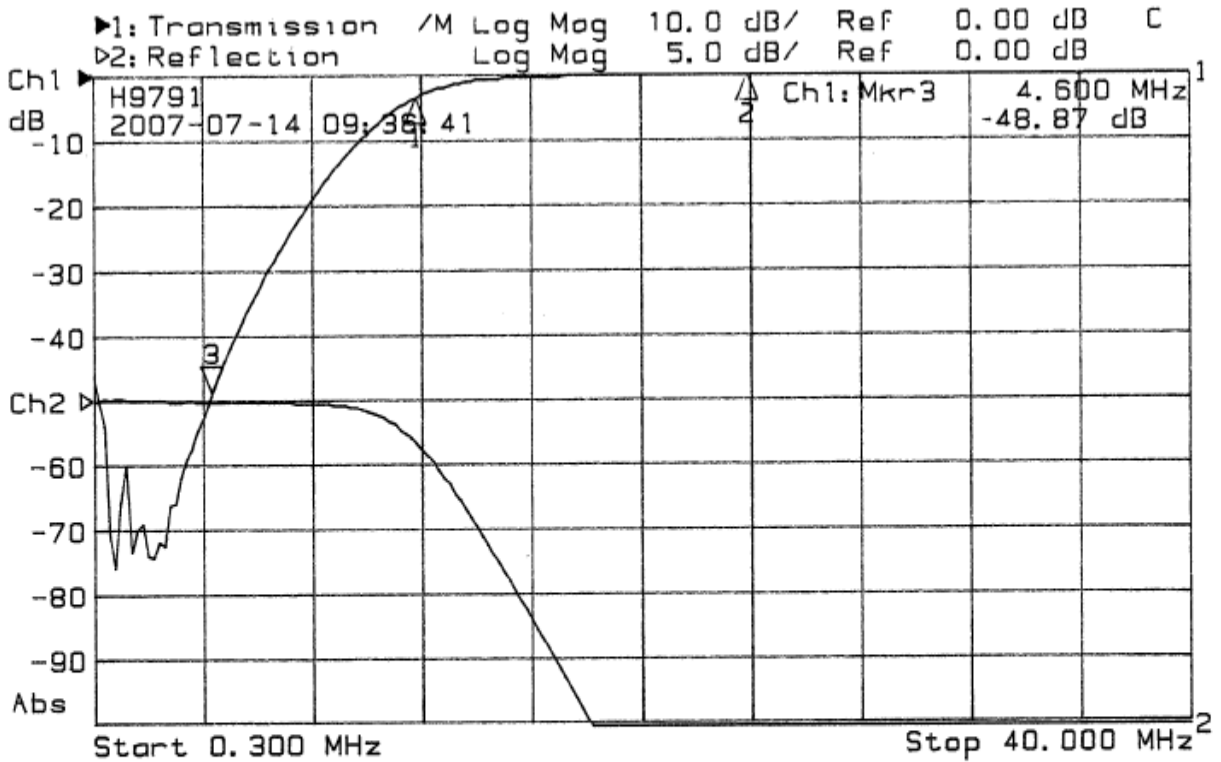
**Vibration:** 10 G. 5 to 200Hz

### Outline Drawing:





**Response Plot :**



1: Mkr (MHz)	dB	2: Mkr (MHz)	dB
1: 12.00	-3.35		
2: 24.00	-0.08		
3> 4.60	-48.87		

*Tom A. Jones* (AE E2)