

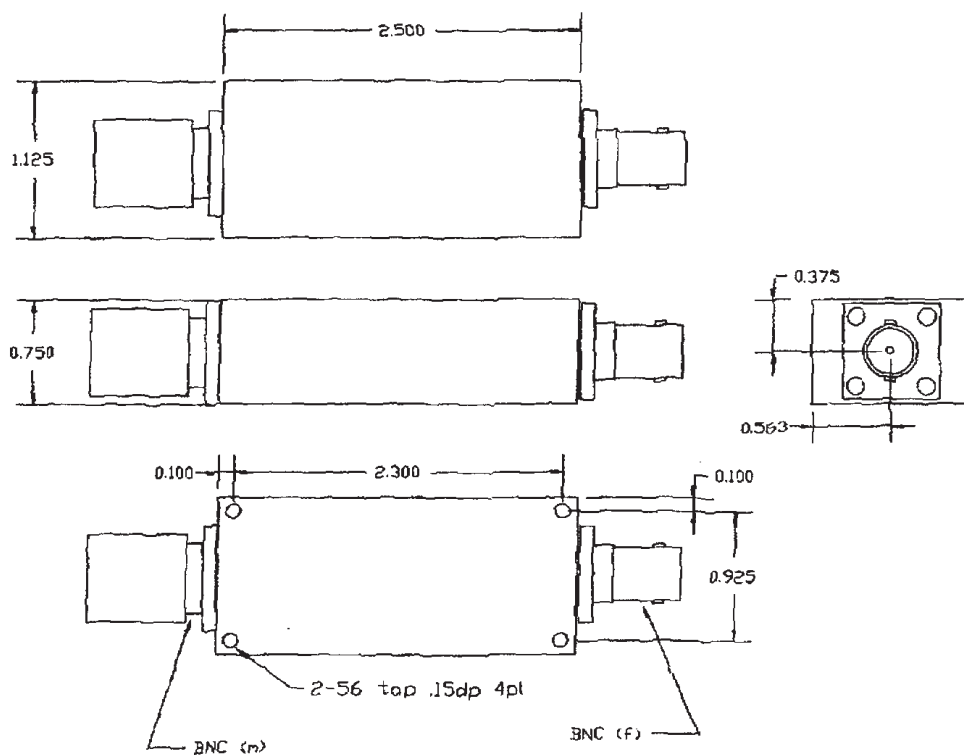


### 1.5 MHz Highpass Filter

Part Number: AE1.5H9786

3 dB Cut-Off Frequency: 1.5 MHz  
Insertion Loss @ 3 MHz: <0.5dB  
Return Loss in Passband: >15dB  
Rejection @ 568 KHz: 51 dB typ.  
Dimensions: 2.5 x 1.125 x 0.75 inches

#### Outline Drawing:



DWG 988721 ajs 05/07/07  
Outline Drawing  
Anatech  
(988731)



# ANATECH ELECTRONICS, INC.

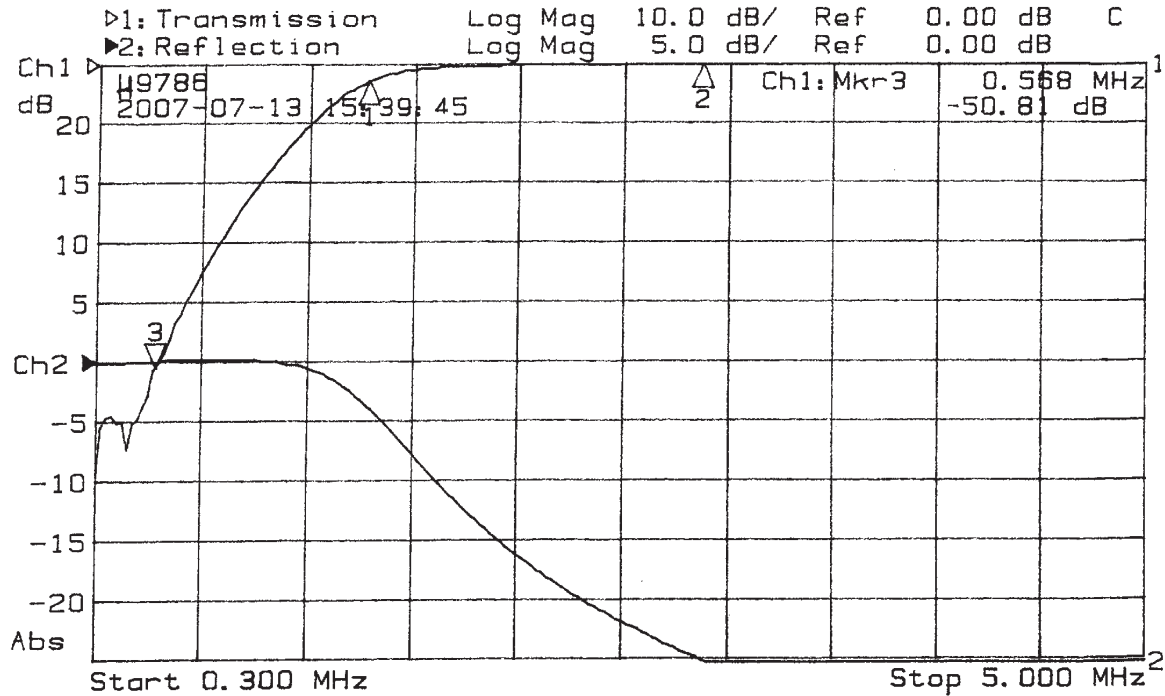
Manufacturer of RF & Microwave Filters and Products



## 1.5 MHz Highpass Filter

Part Number: AE1.5H9786

### Response Plot:



1: Mkr (MHz)	dB	2: Mkr (MHz)	dB
1:	1.50	-2.84	
2:	3.00	-0.07	
3>	0.57	-50.81	

