



ANATECH ELECTRONICS INC
RF & Microwave Filters & Products

117.5 MHz LC Band Pass Filter

Part Number: AE117.5B6104



Electrical Specifications

Center Frequency: 117.5 MHz
Bandwidth: 4 MHz Min.
Insertion Loss: 3.0dB Max.
Return Loss: 15dB Min.
Rejection: $\geq 70\text{dB}$ @ 102.5 MHz
Rejection2: $\geq 70\text{dB}$ @ 132.5 MHz

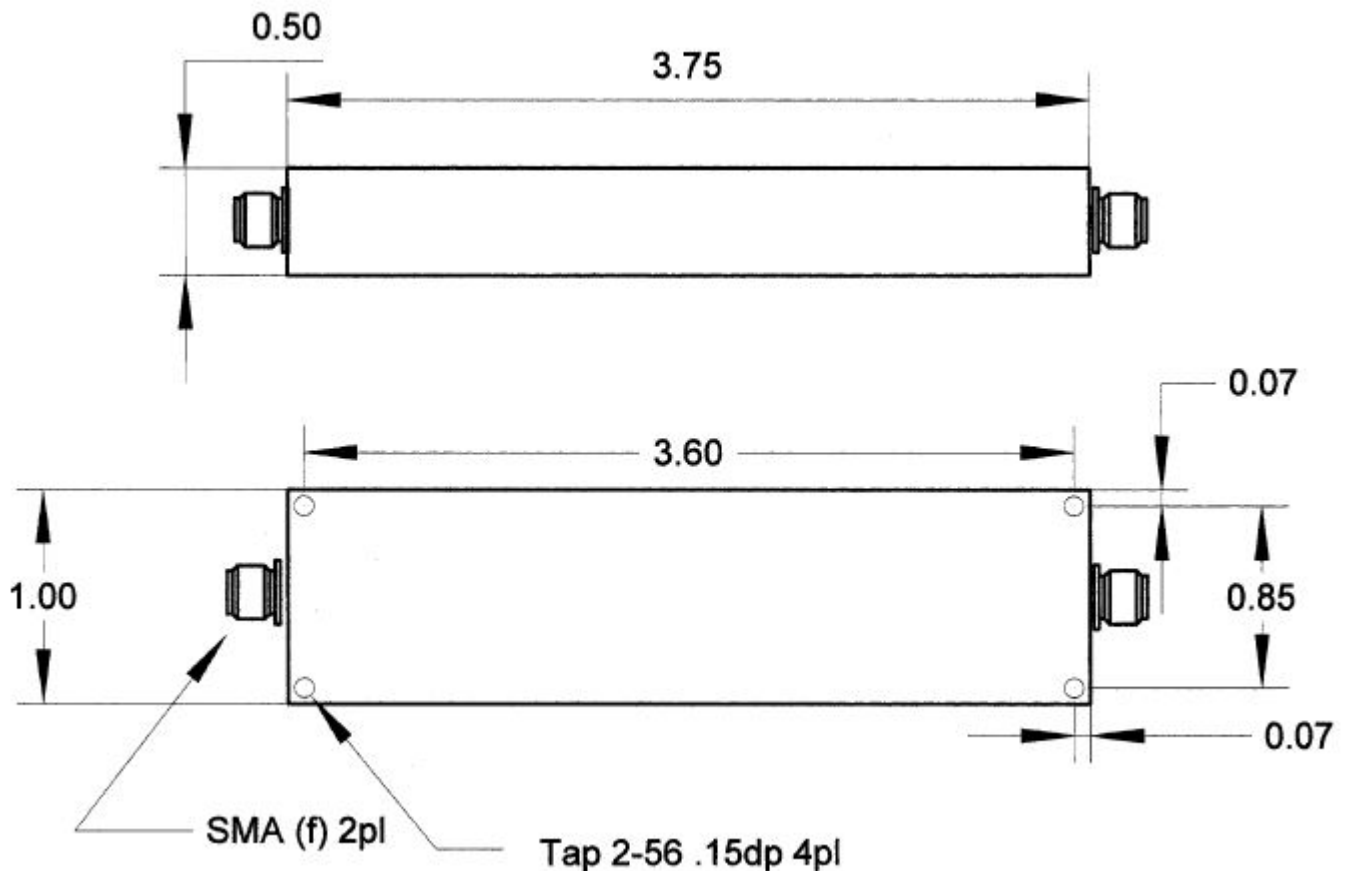
Mechanical

Connector Type: SMA(F)
Dimensions: 3.75" X 1.0" x 0.5" .

Environmental

Operating Temperature: -25°C to +70°C
Storage Temperature: -40°C to +90°C
Shock: 10 G. 11ms
Vibration: 10 G. 5 to 200Hz

Outline Drawing:



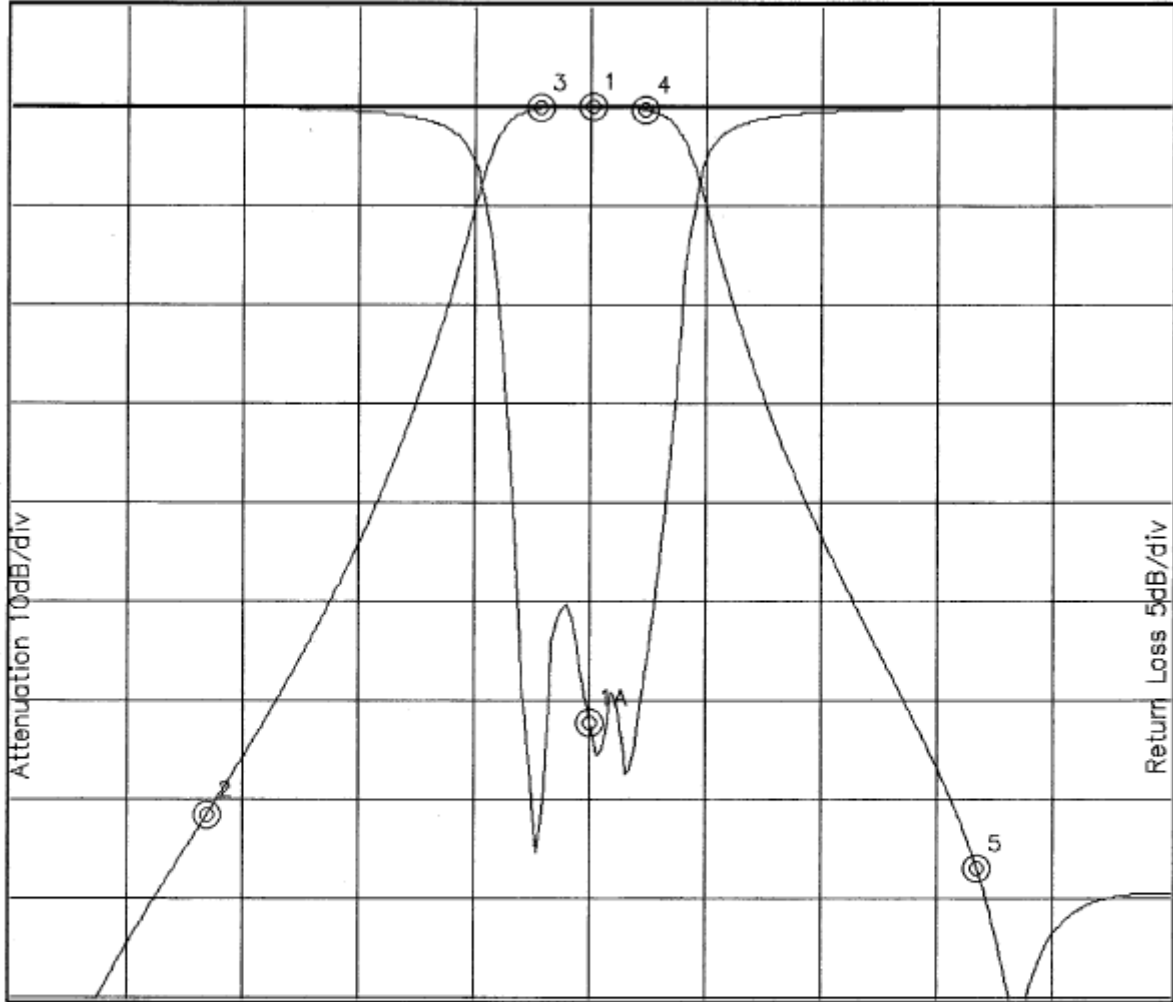


Response Plot:

B6104.lad

SEP 4, 2001

Attenuation/Return Loss



Attenuation Start: 95.0MHz Stop: 140.0MHz

Return Loss Start: 95.0MHz Stop: 140.0MHz

Offset -2.6087dB

- Marker 1 Freq 117.53MHz Atten 0.013dB
- Marker 2 Freq 102.56MHz Atten -71.902dB
- Marker 3 Freq 115.50MHz Atten -0.317dB
- Marker 4 Freq 119.57MHz Atten -0.414dB
- Marker 5 Freq 132.51MHz Atten -77.422dB

Marker 1A Freq 117.46MHz Ret Loss -31.354dB