



ANATECH ELECTRONICS INC
RF & Microwave Filters & Products

600 MHz Band Pass Filter

Part Number: AE600B11705



Electrical Specifications

Center Frequency: 600 MHz
3 dB Bandwidth: 300 MHz Min
70 dB Bandwidth: 675 MHz Max.
Return Loss: 14 dB Min @ 75% of the 3dB BW
Power Handling: 5 W

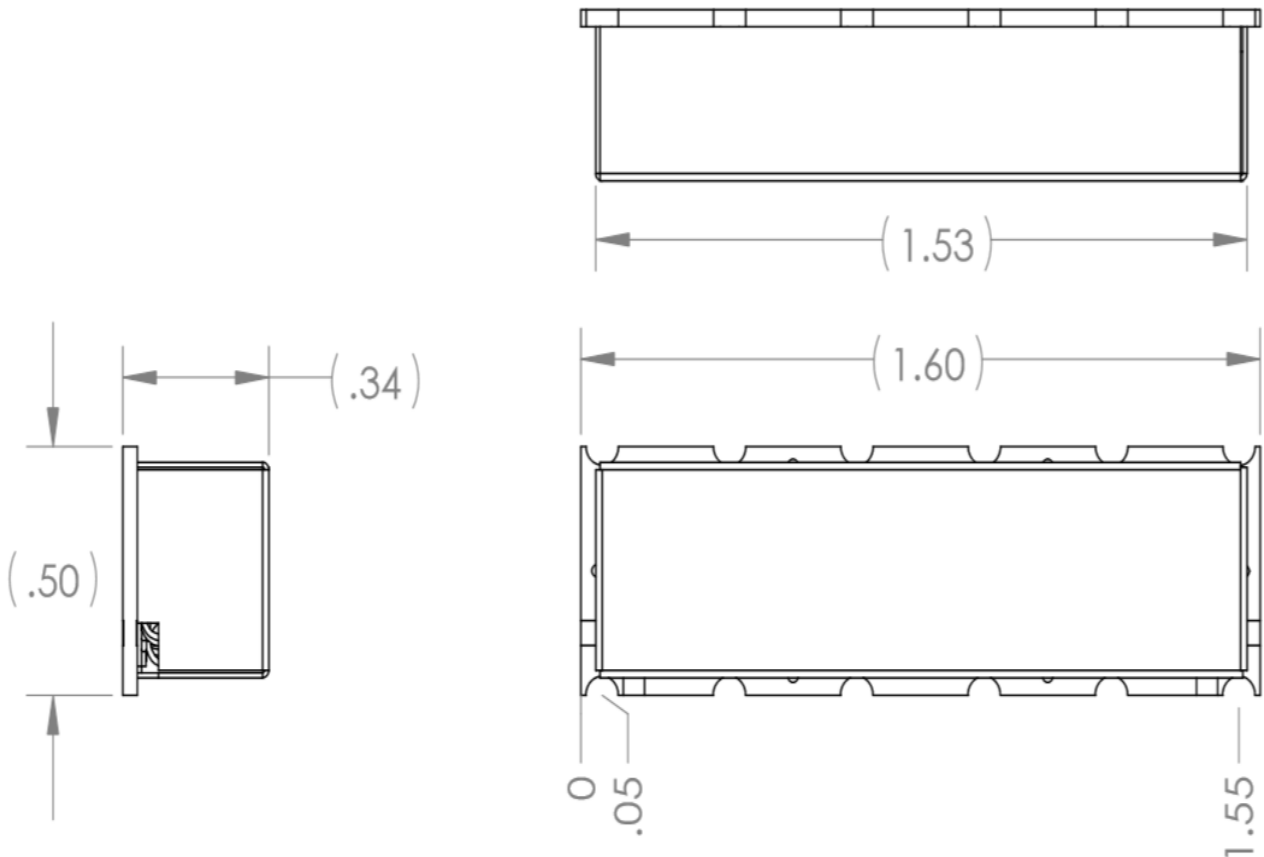
Mechanical

Connector Type: SMT
Dimensions: 1.6" X 0.5" x 0.34"

Environmental

Operating Temperature: -25°C to +70°C
Storage Temperature: -40°C to +90°C
Shock: 10 G. 11ms
Vibration: 10 G. 5 to 200Hz

Outline Drawing:



Tolerance: +/-0.01 inches [+/-0.3mm] Angles: +/-1 Deg.

*Tolerance as shown unless otherwise specified in the datasheet electrical specification tables above.

*When max dimensions are called out the above tolerances do not apply as long as it is under the max call out.

70 Outwater Lane Phone: (973) 772-4242
Garfield, NJ 07026 Fax : (973) 321-3941

Email: sales@anatechelectronics.com
Web: www.anatechelectronics.com