



**ANATECH ELECTRONICS INC**  
RF & Microwave Filters & Products

## 5200 MHz LC Bandpass Filter

Part Number: AE5200B6455



### Electrical Specifications

**Center Frequency:** 5200 MHz  
**Passband:** <0.5 dB @ 5000 MHz to 5400 MHz  
**VSWR:** 1.5:1  
**Insertion Loss:** <1 dB @ 5000 MHz to 5400 MHz  
**Impedance:** 50 Ohms  
**Rejection:** > 60 dB @ 4200 MHz  
**Rejection:** > 30 dB @ 4700 MHz  
**Rejection:** > 30 dB @ 5700 MHz  
**Rejection:** > 60 dB @ 6200 MHz

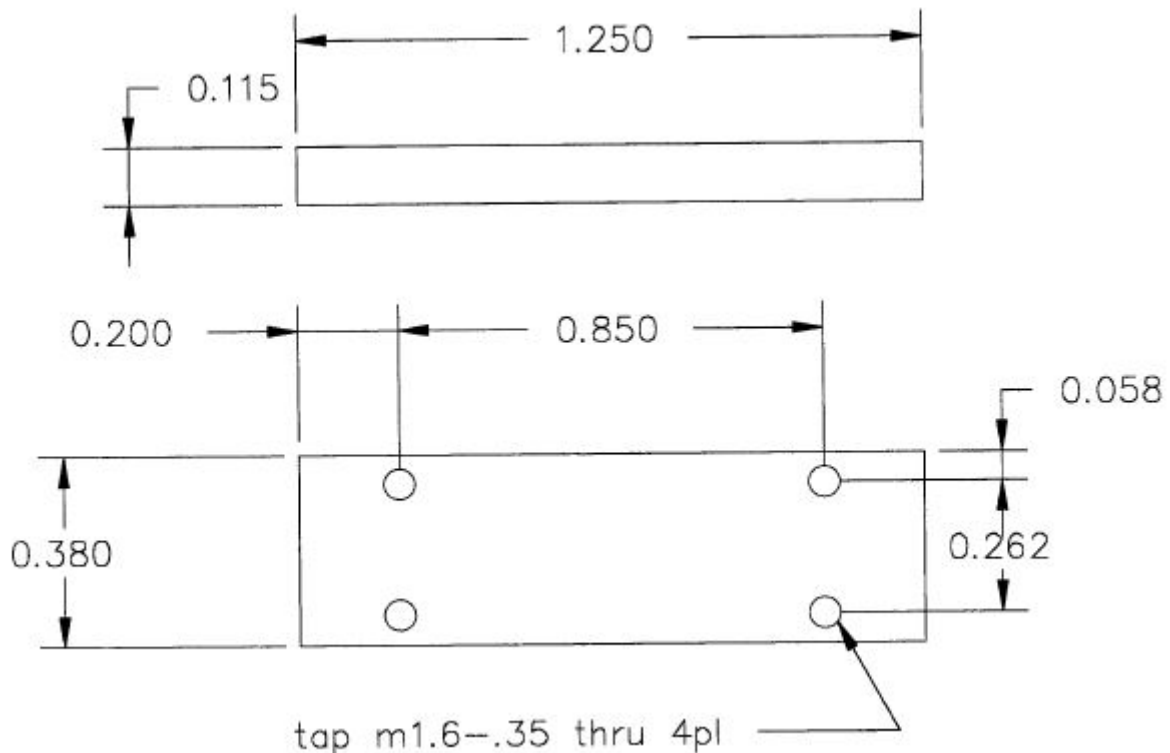
### Mechanical

**Mounting Method:** Through Holes  
**Dimensions:** 1.25" X 0.38" x 0.38" in.

### Environmental

**Operating Temperature:** -25°C to +70°C  
**Storage Temperature:** -40°C to +90°C  
**Shock:** 10 G. 11ms  
**Vibration:** 10 G. 5 to 200Hz

### Outline Drawing:





**ANATECH ELECTRONICS INC**  
RF & Microwave Filters & Products

# 5200 MHz LC Bandpass Filter

Part Number: AE5200B6455



## Response Plot:

Freq. (MHz)	ATT (dB)	SPEC	Flatness
4200	94.465	60	
4700	46.51	30	
5000	1.10	(0.5)	0.24
5200	0.86	1	0.00
5400	1.06	(0.5)	0.20
5700	85.25	30	
6200	69.06	60	

