



ANATECH ELECTRONICS INC
RF & Microwave Filters & Products

668 MHz LC Bandpass Filter

Part Number: AE668B10392



Electrical Specifications

Center Frequency: 668 MHz
Bandwidth: 60 MHz
Passband : 638 MHz to 698 MHz
Insertion Loss: 1.0dB Max. @ 668 MHz
Return Loss: 14dB Min. @ 648 MHz to 688 MHz
Rejection1: 50dB Min. @ 0-568 MHz
Rejection2: 50dB Min. @ 768 MHz to 2000 MHz
Impedance: 50 Ohms

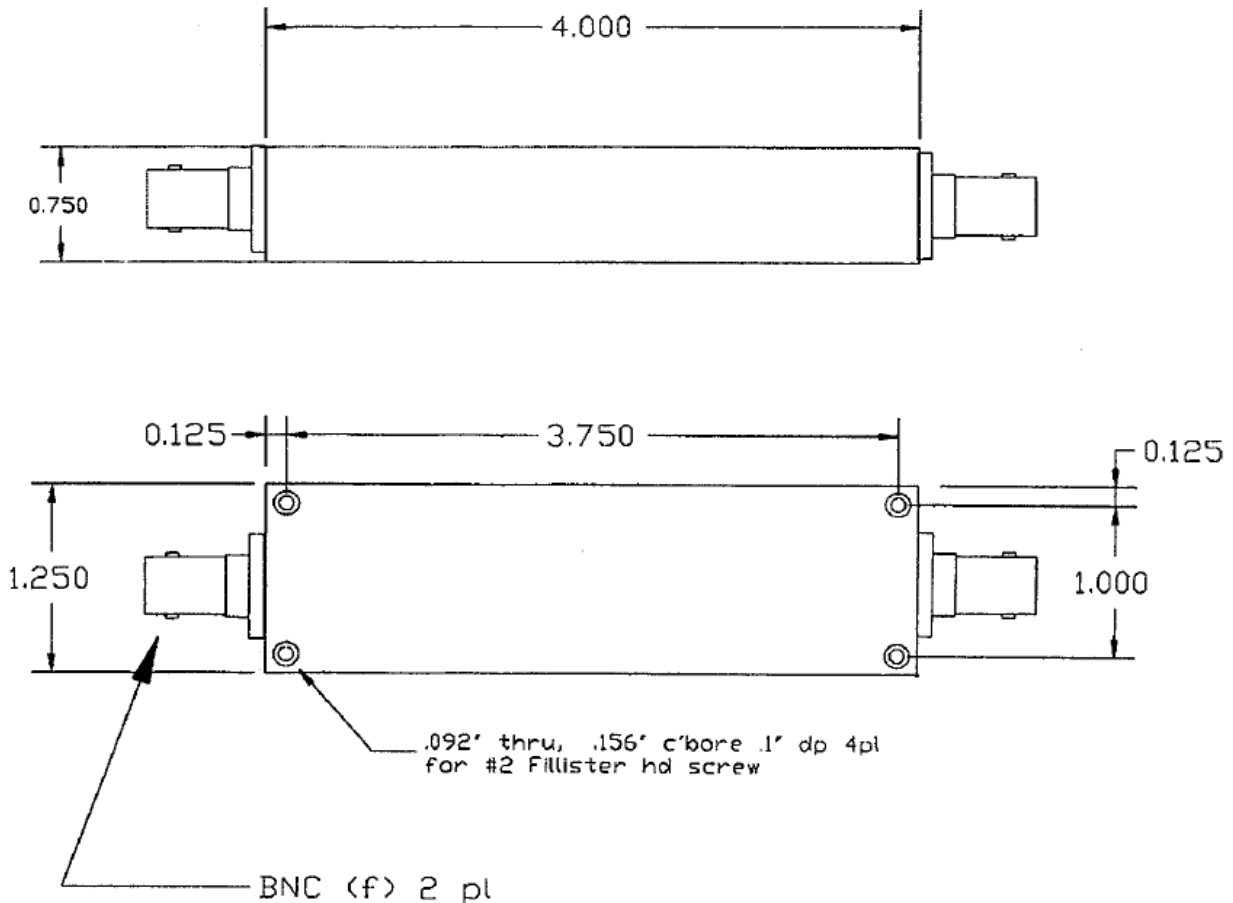
Mechanical

Mounting Method: Through Holes
Connector Type: BNC(F)
Dimensions: 4.0" x 1.250" x 0.750" in.

Environmental

Operating Temperature: -25°C to +70°C
Storage Temperature: -40°C to +90°C
Shock: 10 G. 11ms
Vibration: 10 G. 5 to 200Hz

Outline Drawing:



2 decimal places: +/-0.01 inches [+/- 0.3mm]

3 decimal places: +/- 0.005 inches [+/- 0.13mm]

Angles: +/- 1 Deg.

When max dimensions are called out the above tolerances do not apply as long as it is under the max call out.

70 Outwater Lane Phone: (973) 772-4242
Garfield, NJ 07026 Fax : (973) 321-3941

Email: sales@anatechelectronics.com
Web: www.anatechelectronics.com



ANATECH ELECTRONICS INC
RF & Microwave Filters & Products

668 MHz LC Bandpass Filter

Part Number: AE668B10392



Response Plot:

26 Oct 2009 14:32:53

CH1 S₁₁ log MAG 5 dB/ REF 0 dB 3 -21.229 dB
CH2 S₂₁ log MAG 10 dB/ REF 0 dB 5 -59.599 dB

