



**Electrical specifications**

**Cut-off Frequency:** 1000 MHz  
**Passband:** DC-1000 MHz  
**Insertion loss:** 0.6 dB Max.  
**Return loss:** 20 dB Min.  
**Rejection :** 50 dB Min. @ 1420-4000 MHz  
**Power Handling:** 200 Watts

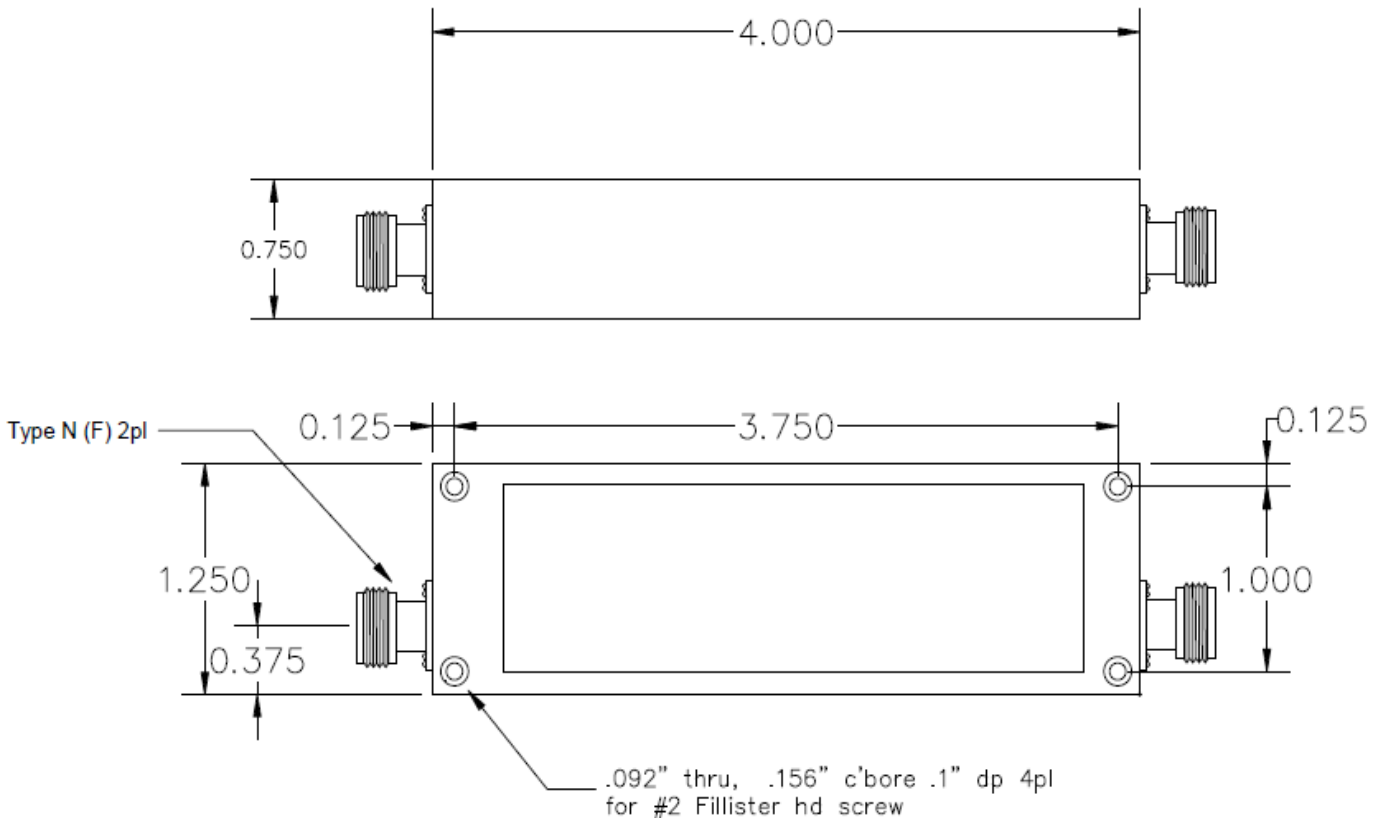
**Mechanical**

**Mounting Method:** Through Holes  
**Connector Type:** N-Type(F)  
**Dimensions:** 4 x 1.25 x 0.75 Inches

**Environmental**

**Operating Temperature:** -40°C to +70°C  
**Storage Temperature:** -55°C to +85° C  
**Shock:** 10 G. 11ms  
**Vibration:** 10 G. 5 to 200 Hz

**Outline Drawing:**



Tolerance: +/-0.01 inches [ +/- 0.3mm]

Angles: +/- 1 Deg.

\*Tolerance as shown unless otherwise specified in the datasheet electrical specification tables above.

\*When max dimensions are called out the above tolerances do not apply as long as it is under the max call out.