



# 976 MHz High Pass Filter



**ANATECH ELECTRONICS INC**  
RF & Microwave Filters & Products

**Part Number: AE976H9922**

## Electrical Specifications

**Cut Off Frequency:** 976 MHz  
**Pass Band Frequency:** 976-2250 MHz  
**Insertion Loss @ 990 MHz:** ≤3.0dB  
**Insertion Loss @ 1000-2250 MHz:** ≤1.5dB  
**Rejection:** ≥30dB @ 968 MHz  
**Impedance:** 75 Ohms  
**Power Handling:** 10 Watts

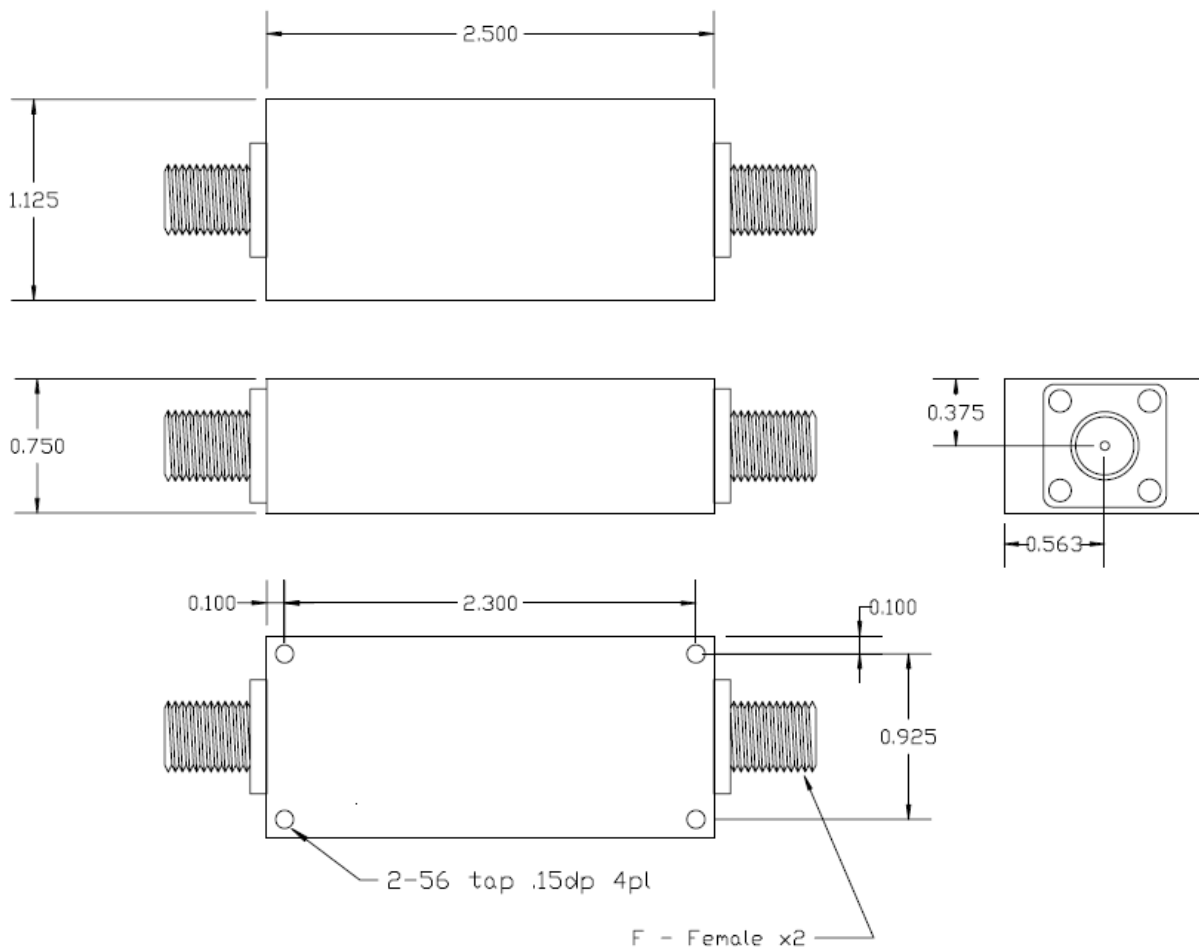
## Mechanical

**Mounting Method:** Threaded Holes  
**Connector Type:** F-type(F)  
**Dimensions:** 2.5 x 1.125 x 0.75 in.

## Environmental

**Operating Temperature:** -40° to +80° C  
**Storage Temperature:** -45° to +85° C  
**Shock:** 10 G. 11ms  
**Vibration:** 10 G. 5 to 200 Hz

### Outline Drawing:



Tolerance: +/-0.01 inches [ +/- 0.3mm]

Angles: +/- 1 Deg.

\*Tolerance as shown unless otherwise specified in the datasheet electrical specification tables above.

\*When max dimensions are called out the above tolerances do not apply as long as it is under the max call out.



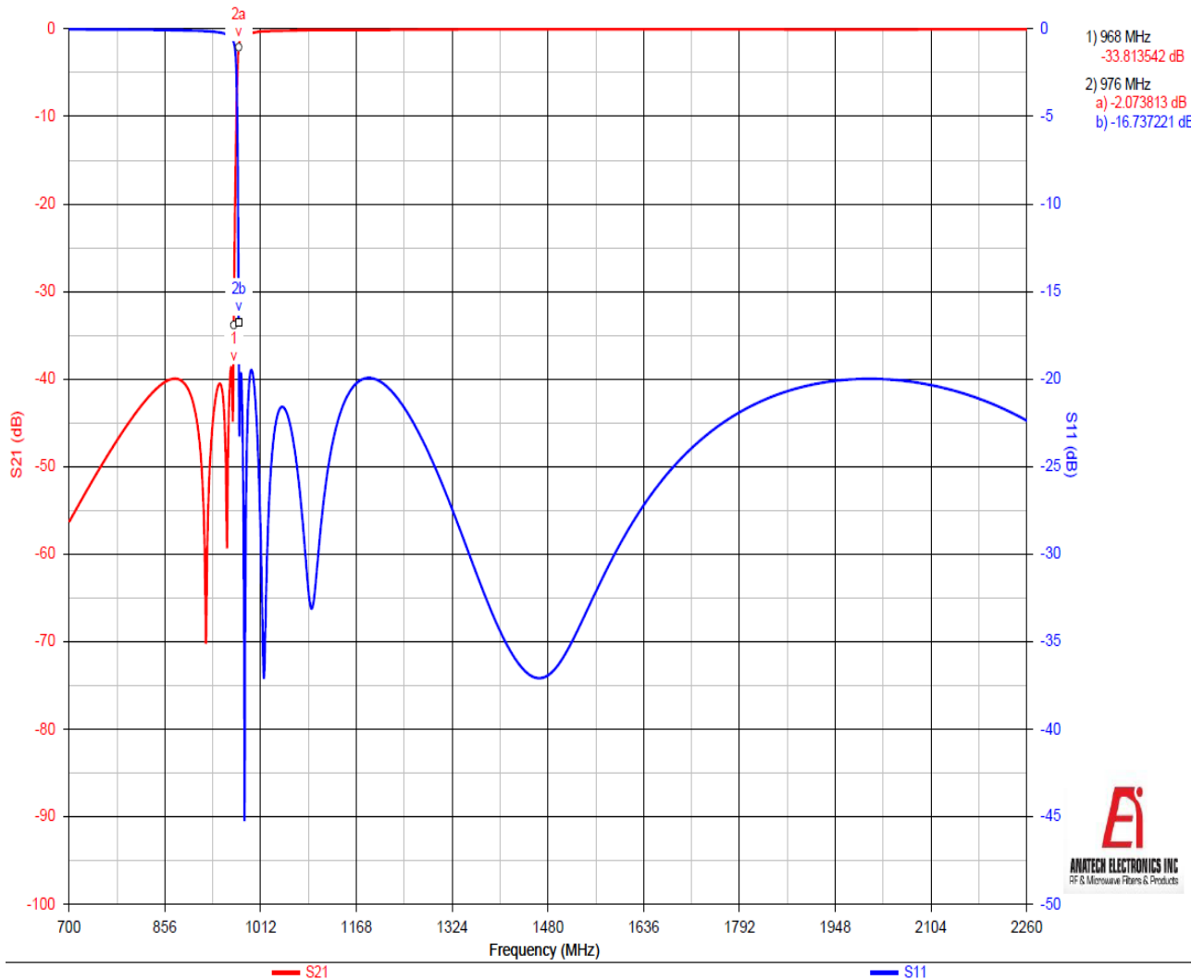
# 976 MHz High Pass Filter

Part Number: AE976H9922



**ANATECH ELECTRONICS INC**  
RF & Microwave Filters & Products

## Simulation Plot:



Note: This is a simulated response plot. Actual performance might differ.

70 Outwater Lane Phone: (973) 772-4242  
Garfield, NJ 07026 Fax : (973) 321-3941

Email: [sales@anatechelectronics.com](mailto:sales@anatechelectronics.com)  
Web: [www.anatechelectronics.com](http://www.anatechelectronics.com)