



ANATECH ELECTRONICS INC
RF & Microwave Filters & Products

2437 MHz WiFi Cavity Bandpass Filter

Part Number: WiFi4S2437-6



Electrical specifications

Center Frequency: 2437 MHz
Bandwidth(-1 dB): 22 MHz
Insertion loss: <2 dB (-1.5 dB typ)
Passband ripple: <0.25 dB
Return loss: >15 dB (-18 dB typ)
Out of band rejection 1: >45 dB@2387 MHz
Out of band rejection 2: >45 dB@2487 MHz
Channel Harmonic rejection: >90 dBc
Impedance: 50 Ohm
Power Handling: 50 Watts

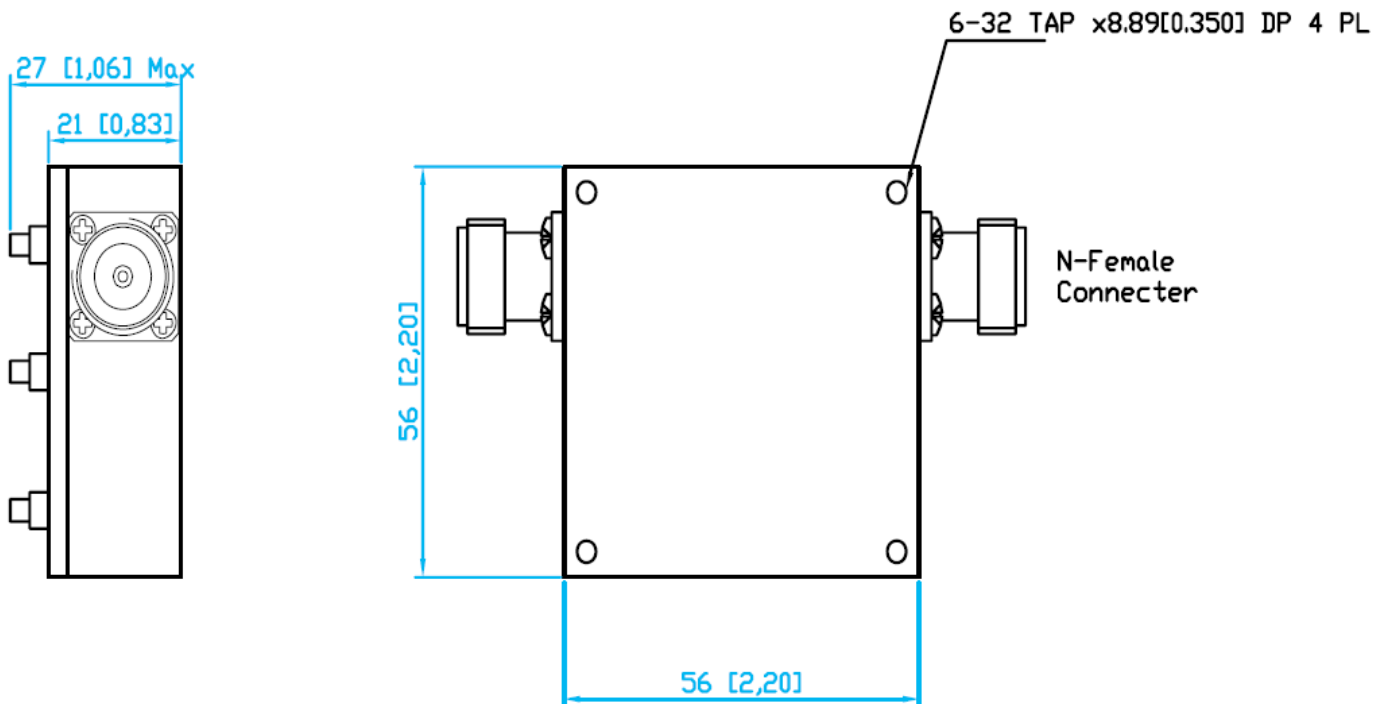
Mechanical

Mounting Method: Threaded Mounting Holes
Connector Type: N-Type Female
Dimensions: 2.20" x 2.20" x 0.80" in

Environmental

Operating Temperature: -40 to +85 deg.C
Storage Temperature: -55 to +95 deg.C
Shock: 20 G. 11ms
Vibration: 20 G. 5 to 200 MHz

Outline Drawing:





Response Plot:

