



### Electrical specifications

**Center Frequency:** 5785 MHz  
**Bandwidth:** 100 MHz  
**Input / Output Impedance:** 50 Ohms  
**Passband:** 5735-5835 MHz  
**Passband Insertion Loss:** <2.0 dB  
**Passband Ripple:** <0.2 dB  
**Passband Return Loss:** >10 dB  
**Rejection:** >70 dB @ 5100-5600 MHz  
**Power Handling:** 30 W

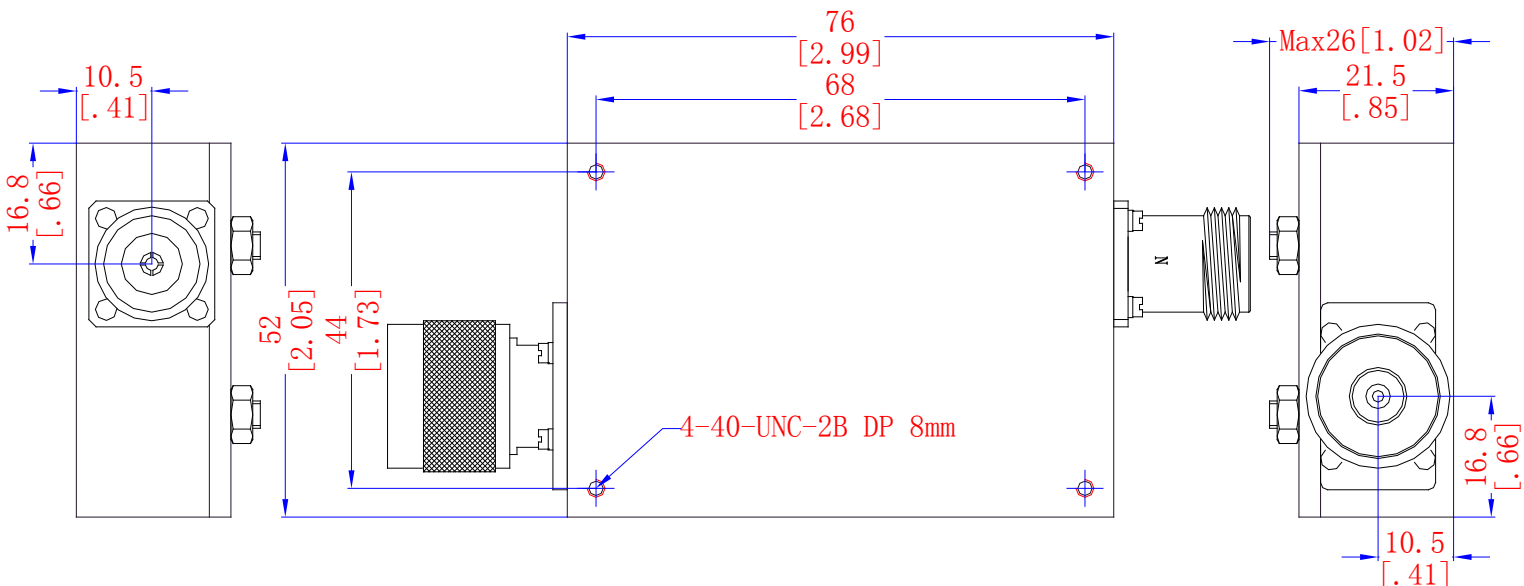
### Mechanical

**Mounting Method:** Threaded Mounting Holes  
**Connector Type:** N-Type (F) and N-Type (M)  
**Dimensions:** 2.992" x 2.047" x 0.984" max  
( 76mm x 52mm x 26mm)

### Environmental

**Operating Temperature:** -10 to +50 deg.C  
**Storage Temperature:** -55 to +95 deg.C  
**Shock:** 20 G. 11ms  
**Vibration:** 20 G. 5 to 200 MHz

### Outline Drawing:





# 5785 MHz Cavity Bandpass Filter

Part Number: AB5785B730



## Response Plot:

