

Coaxial Reflectionless Low Pass Filter

VXLF-172H+

50Ω

DC to 2000 MHz



Generic photo used for illustration purposes only
CASE STYLE: FF704

The Big Deal

- Match to 50Ω in the stop band, eliminates undesired reflections
- Cascadable
- Excellent power handling
- Temperature stable up to 100°C

Product Overview

Mini-Circuits' VXLF-172H+ reflectionless filter employs a novel filter topology which absorbs and terminates stop band signals internally rather than reflecting them back to the source. This new capability enables unique applications for filter circuits beyond those suited to traditional approaches. Reflectionless filters eliminate stop band reflections, allowing them to be paired with sensitive devices and used in applications that otherwise require circuits such as isolation amplifiers or attenuators.

Key Features

Feature	Advantages
Easy integration with sensitive reflective components, e.g. mixers, multipliers	Reflectionless filters absorb unwanted signals, preventing reflections back to the source. This reduces generation of additional unwanted signals without the need for extra components like attenuators, improving system dynamic range.
Enables stable integration of wideband amplifiers	Because reflectionless filters maintain good impedance in the stop band; they can be integrated with high gain, wideband amplifiers without the risk of creating instabilities in these out of band regions.
Excellent power handling	High power handling extends the usability of these filters to the transmit path for inter-stage filtering.
Operating temperature up to 100°C	Suitable for operation close to high power components.
Connectorized package	The connectorized package is easy to interface with other devices and well suited for test setups.

Notes

- A. Performance and quality attributes and conditions not expressly stated in this specification document are intended to be excluded and do not form a part of this specification document.
B. Electrical specifications and performance data contained in this specification document are based on Mini-Circuit's applicable established test performance criteria and measurement instructions.
C. The parts covered by this specification document are subject to Mini-Circuits standard limited warranty and terms and conditions (collectively, "Standard Terms"); Purchasers of this part are entitled to the rights and benefits contained therein. For a full statement of the Standard Terms and the exclusive rights and remedies thereunder, please visit Mini-Circuits' website at www.minicircuits.com/MCLStore/terms.jsp



Low Pass Filter

VXLF-172H+

50Ω DC to 2000 MHz



Generic photo used for illustration purposes only

CASE STYLE: FF704

Connectors	Model
SMA-M/F	VXLF-172H+

Features

- Match to 50Ω in the stop band, eliminates undesired reflections
- Cascadable
- Excellent stopband rejection, 47 dB typ.
- Temperature stable, up to 100°C
- Protected by US Patents 8,392,495; 9,705,467, additional patent pending
- Protected by China Patent 201080014266.1
- Protected by Taiwan Patent I581494

Applications

- Cellular, PCS
- GPS
- Radio astronomy
- Telemetry

Electrical Specifications at 25°C

Parameter	F#	Frequency (MHz)	Min.	Typ.	Max.	Unit	
Pass Band	Insertion Loss	DC-F1	DC - 2000	-	1.7	3.4	dB
	Frequency Cut-off	F2	2350	-	3.0	-	dB
	VSWR	DC-F1	DC-2000	-	1.4	-	:1
Stop Band	Rejection	F3-F4	3600 - 3800	10	28	-	dB
		F4-F5	3800 - 11000	26	47	-	dB
	VSWR	F3-F4	3600 - 3800	-	1.4	-	:1
		F4-F5	3800 - 11000	-	1.7	-	:1

Absolute Maximum Ratings³

Parameter	Ratings
Operating Temperature	-55°C to +100°C
Storage Temperature	-55°C to +100°C
RF Power Input, Passband (DC-F1) ¹	7.9W at 25°C
RF Power Input, Stopband (F3-F5) ²	1.58W at 25°C

¹ Passband rating derates linearly to 3.9W at 100°C ambient

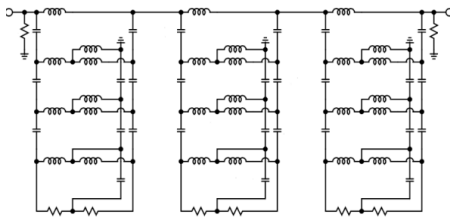
² Stopband rating derates linearly to 0.75W at 100°C ambient

³ Permanent damage may occur if any of these limits are exceeded

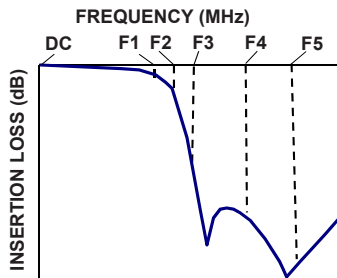
ESD rating

Human body model (HBM): Class 1A (Pass 250 V) in accordance with ANSI/ESD 5.1-2001

Functional Schematic

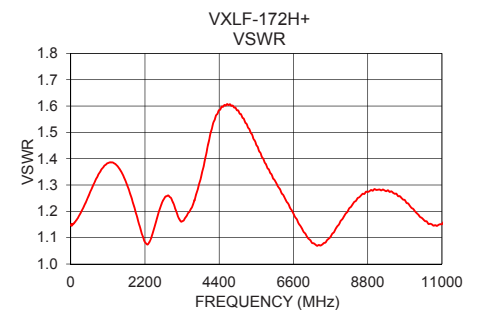
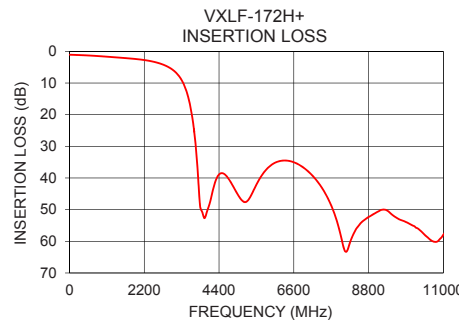


Typical Frequency Response



Typical Performance Data at 25°C

Frequency (MHz)	Insertion Loss (dB)	VSWR (:1)
10	1.07	1.15
100	1.10	1.15
300	1.18	1.20
600	1.33	1.28
1000	1.61	1.37
2000	2.48	1.16
2350	3.01	1.09
2500	3.35	1.15
3000	5.55	1.24
3600	19.98	1.22
3610	20.64	1.22
3720	30.58	1.27
3800	42.52	1.30
4000	52.23	1.41
5000	46.04	1.57
6000	35.46	1.32
7000	37.69	1.10
9000	51.09	1.28
10000	54.46	1.23
11000	57.94	1.15



+RoHS Compliant

The +Suffix identifies RoHS Compliance. See our web site for RoHS Compliance methodologies and qualifications

Notes

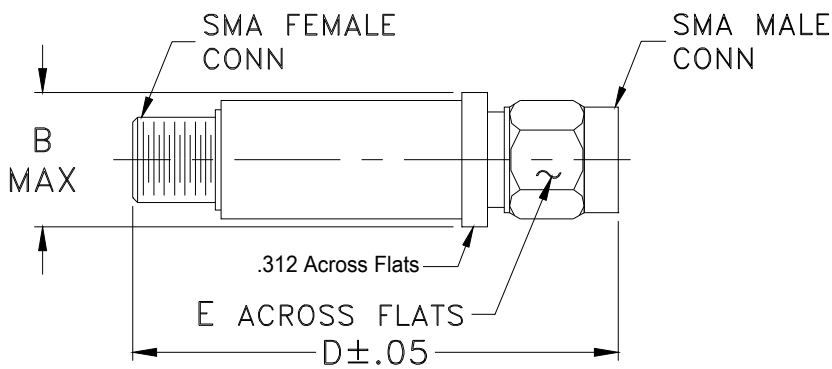
- Performance and quality attributes and conditions not expressly stated in this specification document are intended to be excluded and do not form a part of this specification document.
- Electrical specifications and performance data contained in this specification document are based on Mini-Circuits' applicable established test performance criteria and measurement instructions.
- The parts covered by this specification document are subject to Mini-Circuits standard limited warranty and terms and conditions (collectively, "Standard Terms"); Purchasers of this part are entitled to the rights and benefits contained therein. For a full statement of the Standard Terms and the exclusive rights and remedies thereunder, please visit Mini-Circuits' website at www.minicircuits.com/MCLStore/terms.jsp



Coaxial Connections

PORT - 1	SMA-Male
PORT - 2	SMA-Female

Outline Drawing



Outline Dimensions ($\frac{\text{inch}}{\text{mm}}$)

B	D	E	wt.
.410	1.43	.312	grams
10.41	36.32	7.92	10

Note: Please refer to case style drawing for details

Notes

- A. Performance and quality attributes and conditions not expressly stated in this specification document are intended to be excluded and do not form a part of this specification document.
- B. Electrical specifications and performance data contained in this specification document are based on Mini-Circuit's applicable established test performance criteria and measurement instructions.
- C. The parts covered by this specification document are subject to Mini-Circuits standard limited warranty and terms and conditions (collectively, "Standard Terms"); Purchasers of this part are entitled to the rights and benefits contained therein. For a full statement of the Standard Terms and the exclusive rights and remedies thereunder, please visit Mini-Circuits' website at www.minicircuits.com/MCLStore/terms.jsp

