



ANATECH ELECTRONICS INC
RF & Microwave Filters & Products

10010 MHz Cavity Bandpass Filter

Part Number: AB10010B1138



Electrical specifications

Center Frequency: 10010 MHz
Bandwidth: 320 MHz
Input / Output Impedance: 50 Ohms
Passband: 9850-10170 MHz
Passband Insertion Loss: ≤1.0dB
Passband Ripple: <0.2dB
Passband Return Loss: ≥15dB
Rejection: ≥70dB@9610, 10410MHz
Power Handling: 2W

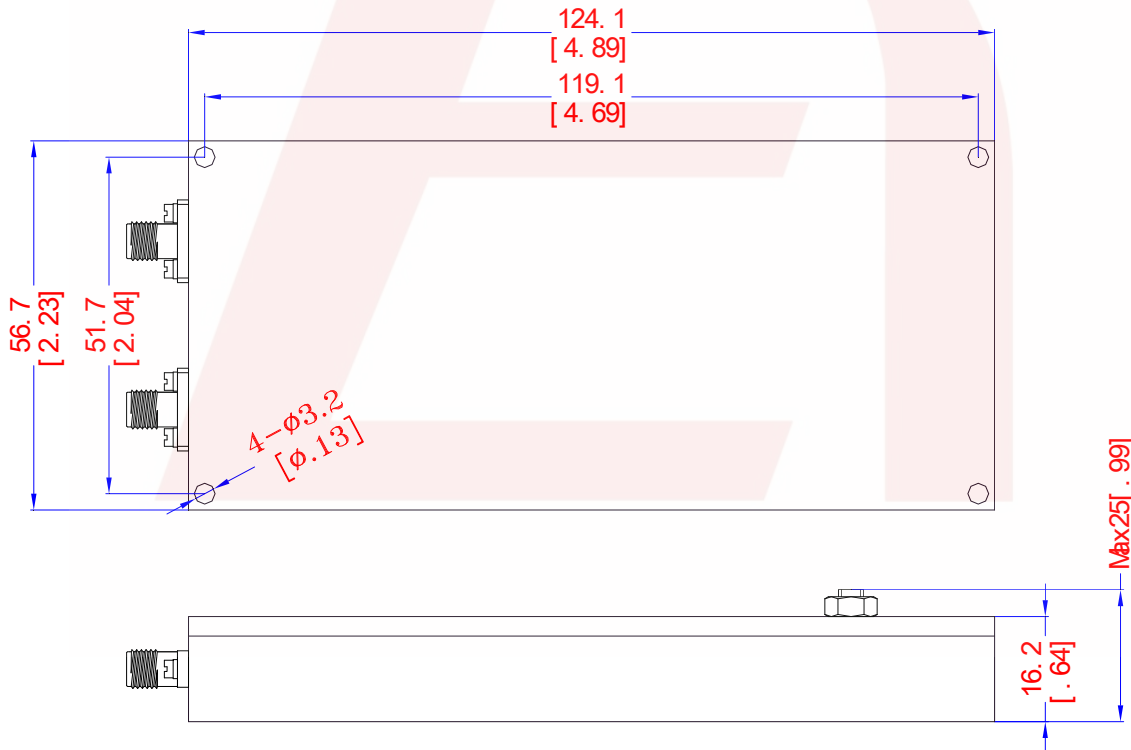
Mechanical

Connector Type: SMA (F)
Dimensions: 4.89 x 2.23 x .64 inches

Environmental

Operating Temperature: -0 to +50 deg.C
Storage Temperature: -55 to +95 deg.C
Shock: 20 G. 11ms
Vibration: 20 G. 5 to 200 Hz

Outline Drawing:



DS-B1138-03152018-Rev0



Response Plot:

