



**Electrical specifications**

**Center Frequency:** 2410 MHz  
**Bandwidth(-3 dB):** 73 MHz  
**Insertion loss:** <1.1 dB(0.9 dB typ)  
**Return loss:** 15 dB@(-18 dB typ)  
**30 dB BW:** <106 MHz(Fc+/-53 MHz)  
**60 dB BW:** <150 MHz(Fc+/-75 MHz)  
**Harmonic rejection:** >80 dB(90 dB typ)  
**Impedance:** 50 Ohm  
**Power handling:** 50 Watts  
**Max power:** 100 Watts

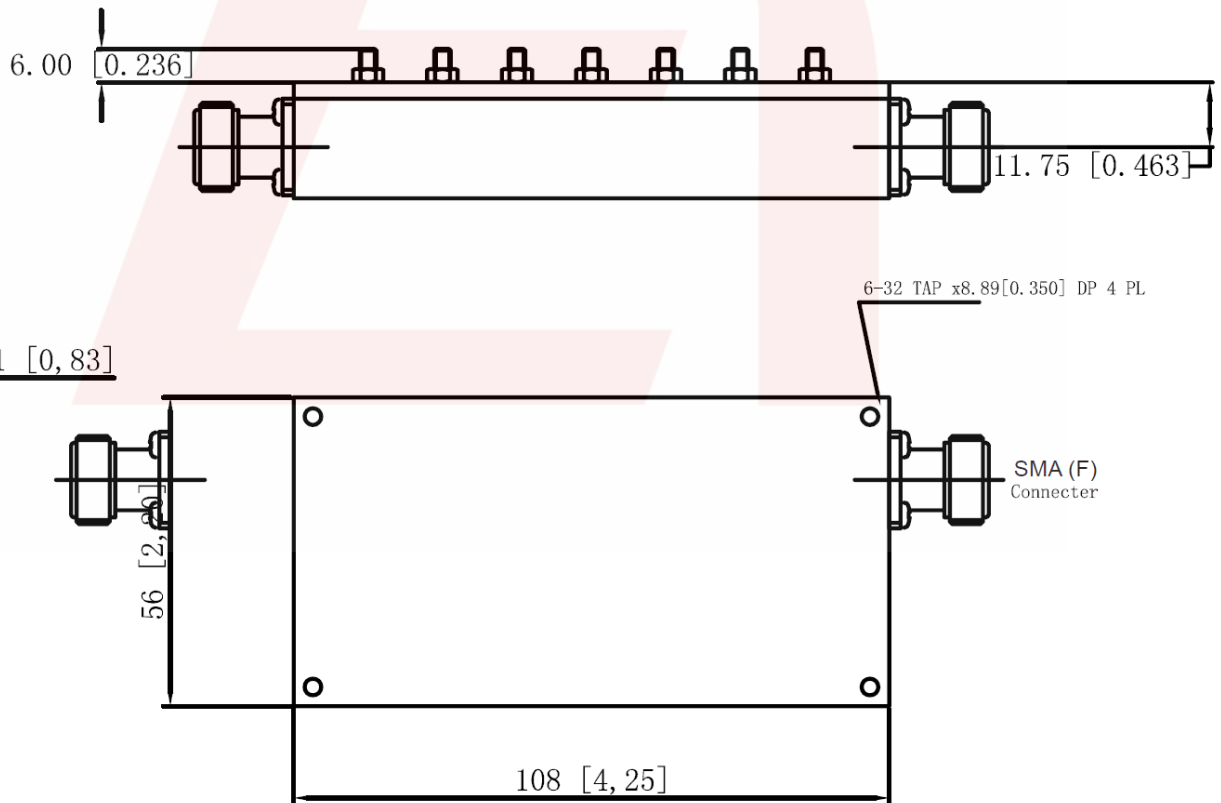
**Mechanical**

**Mounting Method:** Threaded Mounting Holes  
**Connector Type:** SMA Female  
**Dimensions:** 4.30" x 2.20" x 0.80" in

**Environmental**

**Operating Temperature:** -45 to +85° C  
**Storage Temperature:** -55 to +95° C  
**Shock:** 20 G. 11ms  
**Vibration:** 20 G. 5 to 200 Hz

**Outline Drawing:**





**Plot:**

