



5200-5400 MHz Cavity Bandpass Filter

ANATECH ELECTRONICS INC
RF & Microwave Filters & Products

Part Number: AB5300B926



Electrical specifications

Frequency range: 5200-5400 MHz
Insertion loss: 1.2 dB max
VSWR: 1.3 dB max
Ripple: 0.5 dB max
Rejection: 30 dB min@5600-18000 MHz
Power handling: 10 Watts min

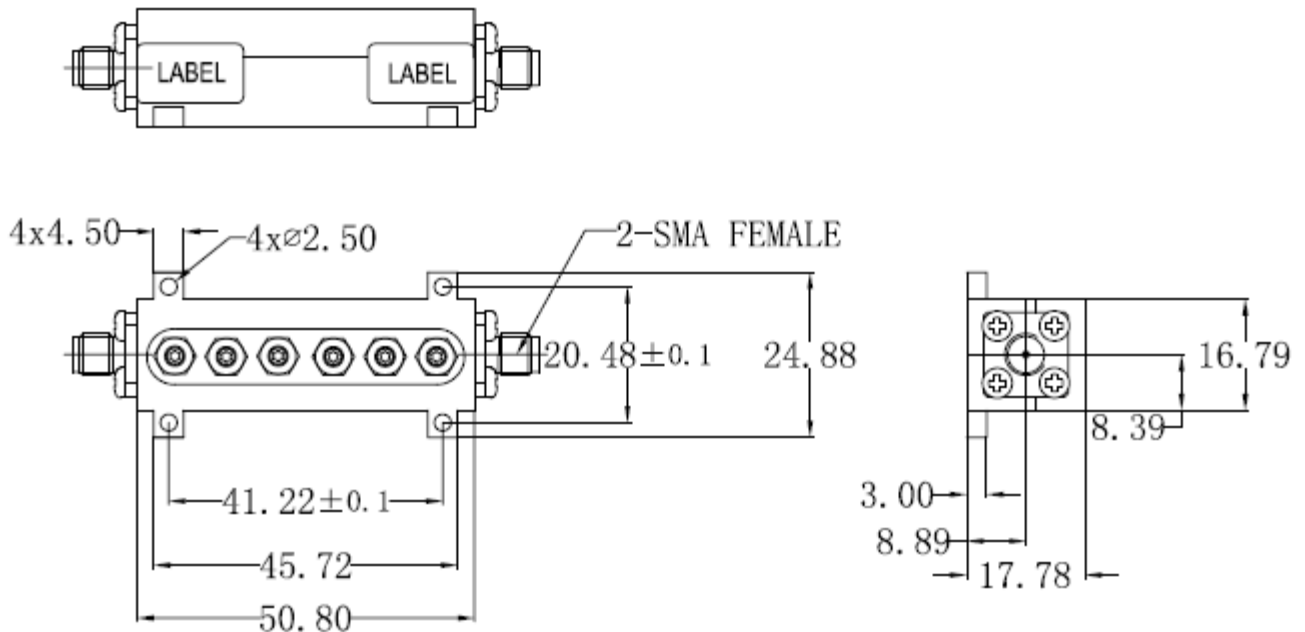
Mechanical

Mounting Method: Threaded Mounting Holes
Connector Type: SMA Female
Dimensions: 50.80 X 24.88 X 17.78 mm

Environmental

Operating Temperature: -45 to +85° C
Storage Temperature: -55 to +95° C
Shock: 20 G. 11ms
Vibration: 20 G. 5 to 200 MHz

Outline Drawing:





5200-5400 MHz Cavity Bandpass Filter

ANATECH ELECTRONICS INC
RF & Microwave Filters & Products

Part Number: AB5300B926



Plot:

Design and Simulation

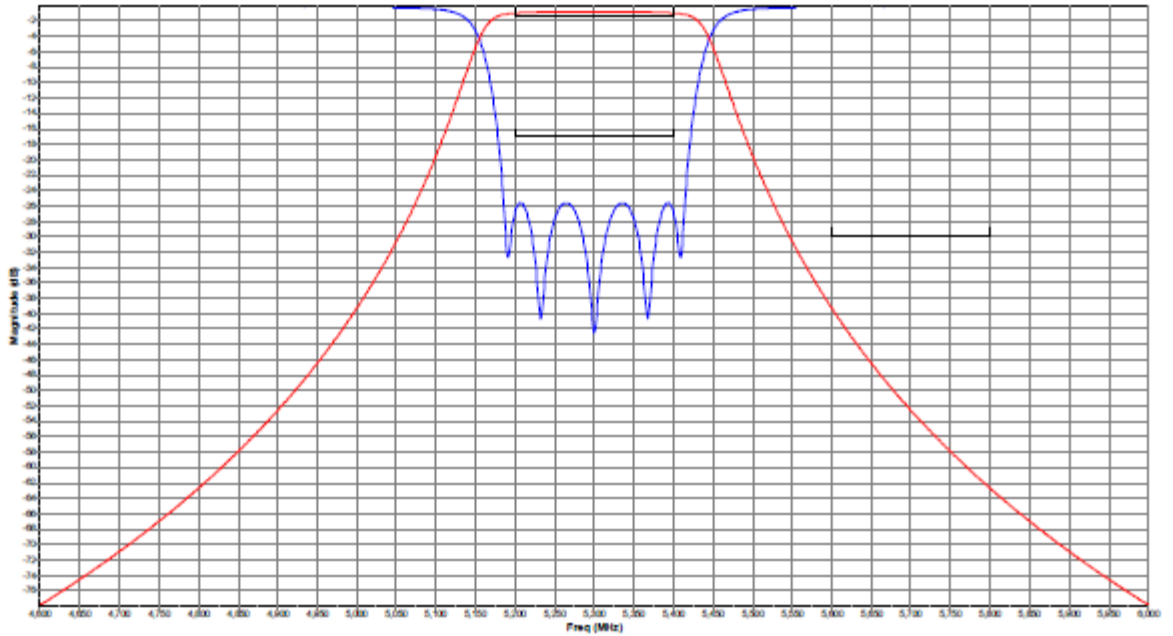


Fig.1 Return Loss and Rejection

