



ANATECH ELECTRONICS INC
RF & Microwave Filters & Products

70 MHz LC Bandpass Filter

Part Number: AE70B10049



Electrical Specifications

Center Frequency: 70 MHz

Bandwidth: 10 MHz

Passband : 65 MHz to 75 MHz

Insertion Loss: ≤ 2 dB

Return Loss: >15 dB @ 67 MHz to 73 MHz

Rejection: >30 dB @ 0-50 MHz

Rejection2: >40 dB @ 85 MHz to 500 MHz

Impedance: 50 Ohms

Mechanical

Connector Type: BNC(M) & BNC(F)

Dimensions: 2.5" x 1.125" x 0.75" in.

Environmental

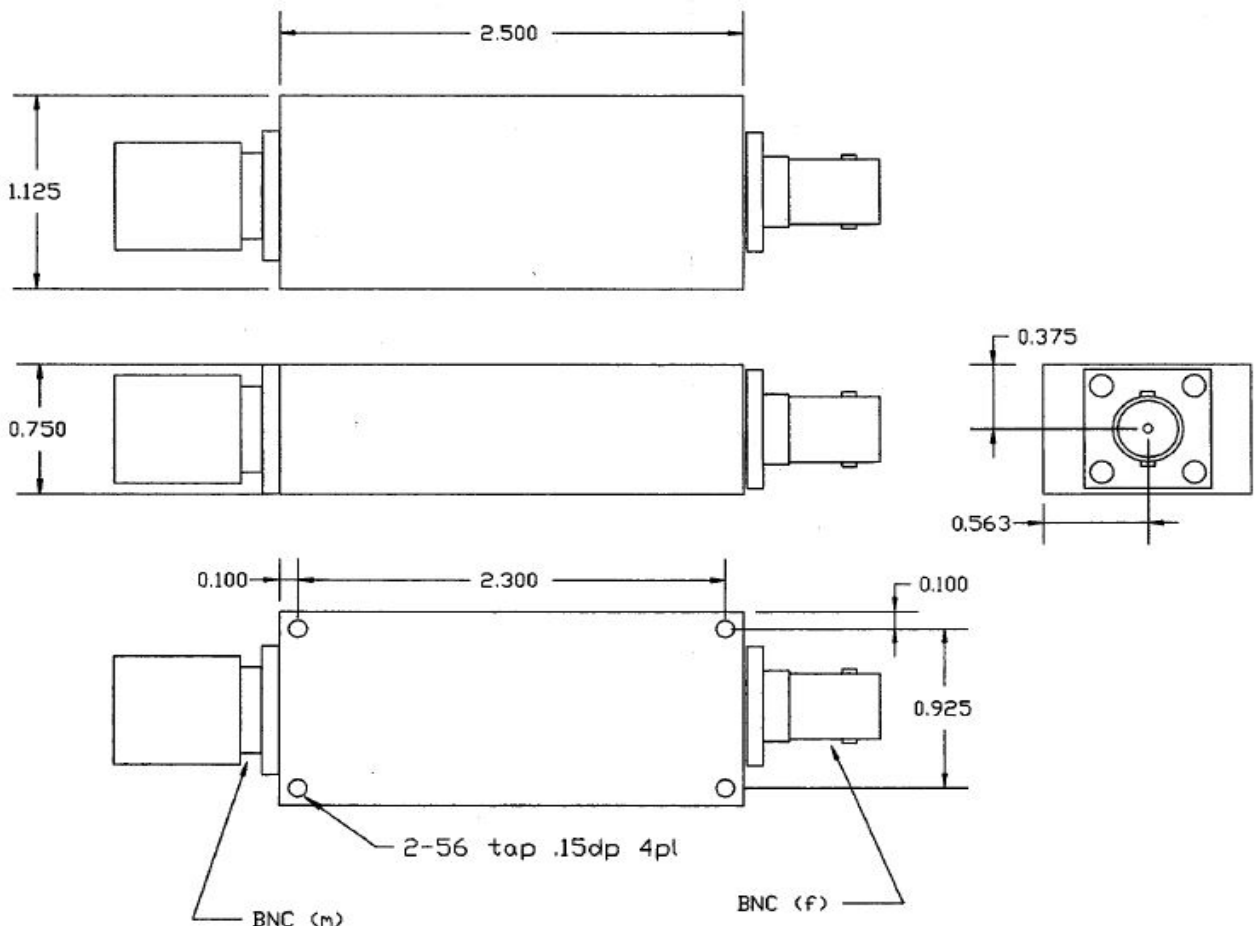
Operating Temperature: -25°C to $+70^{\circ}\text{C}$

Storage Temperature: -40°C to $+90^{\circ}\text{C}$

Shock: 10 G. 11ms

Vibration: 10 G. 5 to 200Hz

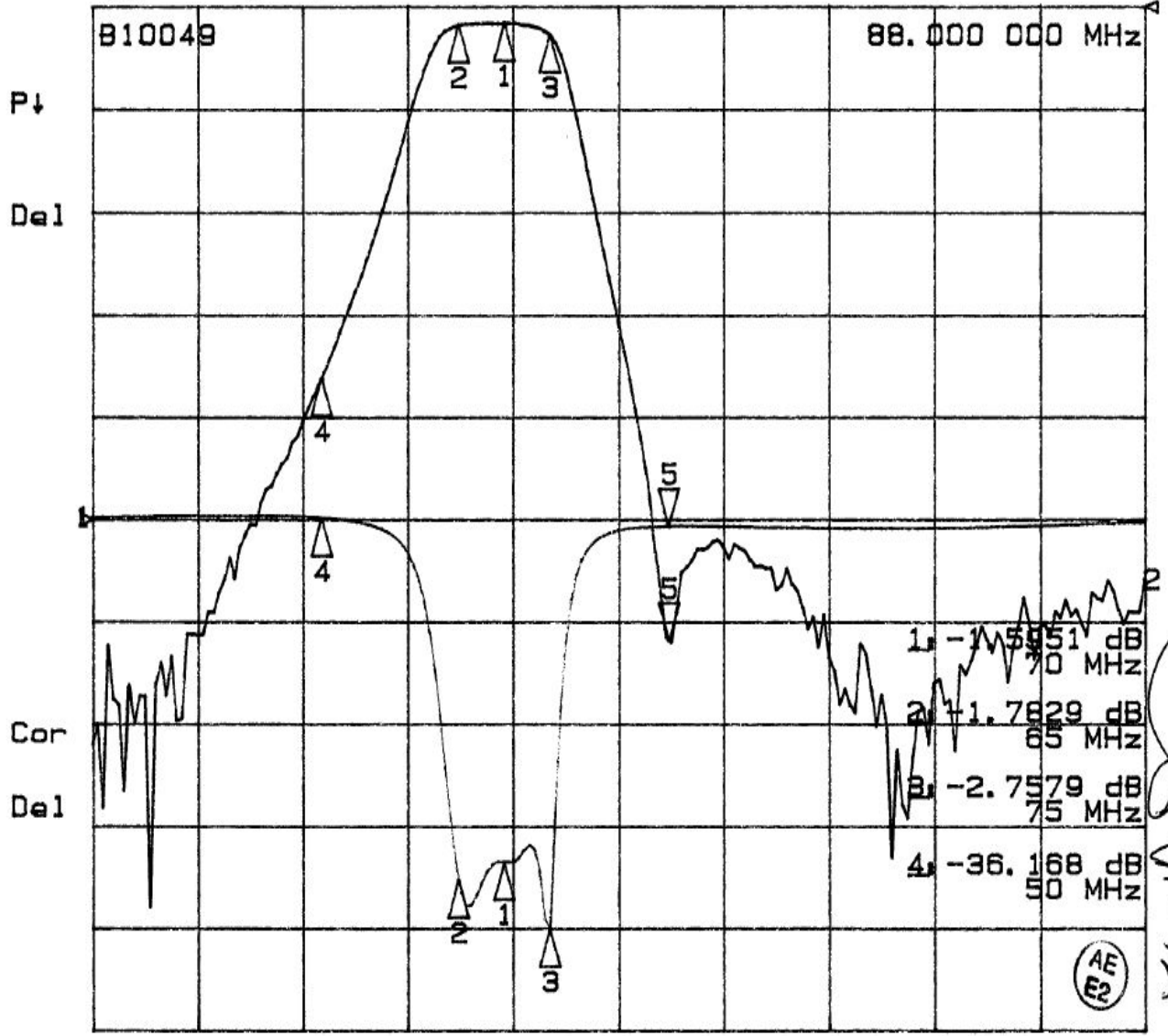
Outline Drawing:





Response Plot:

1 Apr 2008 16:53:37
 CH1 S₁₁ log MAG 5 dB/ REF 0 dB 5 -0.3137 dB
 CH2 S₂₁ log MAG 10 dB/ REF 0 dB 5 -61.805 dB



START 25.000 000 MHz STOP 140.000 000 MHz

Handwritten signature

