



**ANATECH ELECTRONICS INC**  
RF & Microwave Filters & Products

# 3850 MHz Cavity Bandpass Filter

**Part Number: AE3850B10548**



## Electrical Specifications

**Center Frequency:** 3850 MHz  
**Passband :** 3500 to 4200 MHz  
**Bandwidth:** 700 MHz  
**Insertion Loss:**  $\leq$ -1dB @3500 to 4200 MHz  
**Return Loss:** -14 dB @3500 to 4200 MHz  
**Impedance:** 50 Ohms  
**Power Handling:** 200 Watts

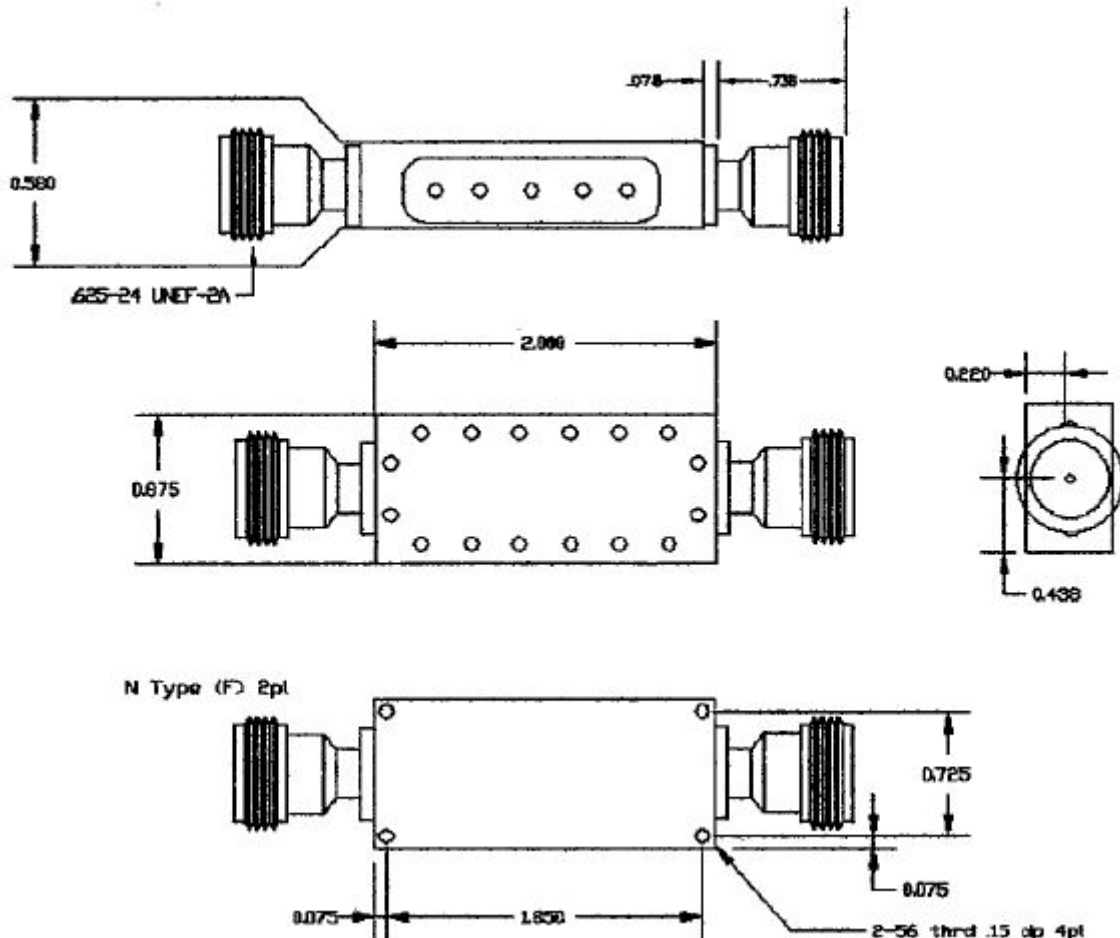
## Mechanical

**Mounting Method:** Threaded Mounting Holes  
**Connector Type:** N-Type(Female)  
**Dimensions:** 2.9" X 1.10" x 1.125" in.

## Environmental

**Operating Temperature:** -25°C to +70°C  
**Storage Temperature:** -40°C to +90°C  
**Shock:** 10 G. 11ms  
**Vibration:** 10 G. 5 to 200Hz

## Outline Drawing:





**ANATECH ELECTRONICS INC**  
RF & Microwave Filters & Products

# 3850 MHz Cavity Bandpass Filter

**Part Number: AE3850B10548**



## Response Plot:

