



**ANATECH ELECTRONICS INC**  
RF & Microwave Filters & Products

# 5650-5835 MHz Cavity Bandpass Filter

Part Number: AB5742B1167



## Electrical specifications

**Passband:** 5650-5835MHz  
**Insertion Loss:**  $\leq 0.8\text{dB}$  @ 5660-5825 MHz  
**Passband Return Loss:**  $\geq 18\text{dB}$   
**Rejection:**  $\geq 60\text{dB}$  @ 5590MHz  
**Power Handling:** 30W  
**Input / Output Impedance:** 50 Ohms

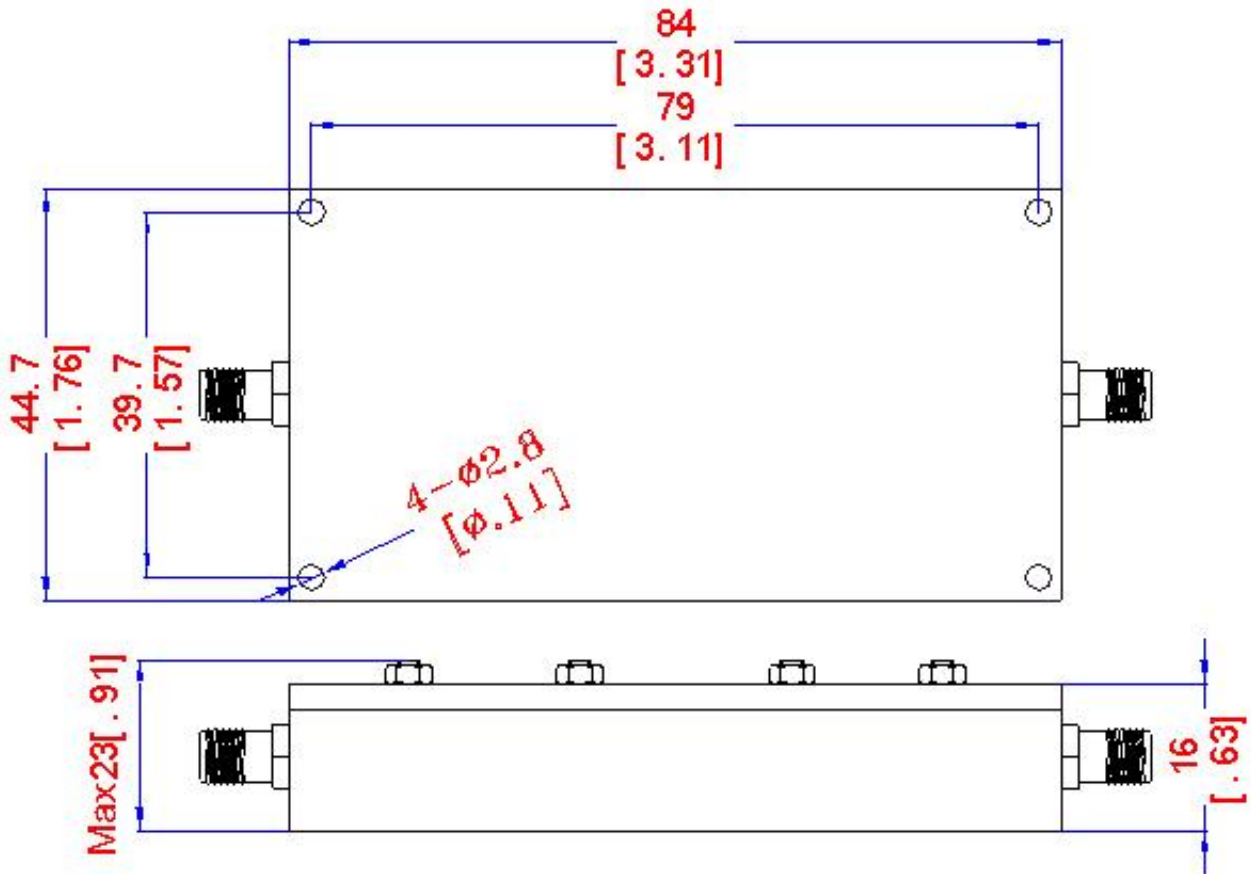
## Mechanical

**Connector Type:** SMA (F)  
**Dimensions:** 3.31 x 1.76 x .91 inches

## Environmental

**Operating Temperature:** -45 to +85 deg. C  
**Storage temperature:** -65 to +95 deg. C  
**Shock:** 20 G's,  $\frac{1}{2}$  sine, 11ms  
**Vibration:** 10 G's, 10-2000Hz  
**Relative Humidity:** 0-95%

## Outline Drawing:





**ANATECH ELECTRONICS INC**  
RF & Microwave Filters & Products

# 5650-5835 MHz Cavity Bandpass Filter

Part Number: AB5742B1167



## Response Plot:

