

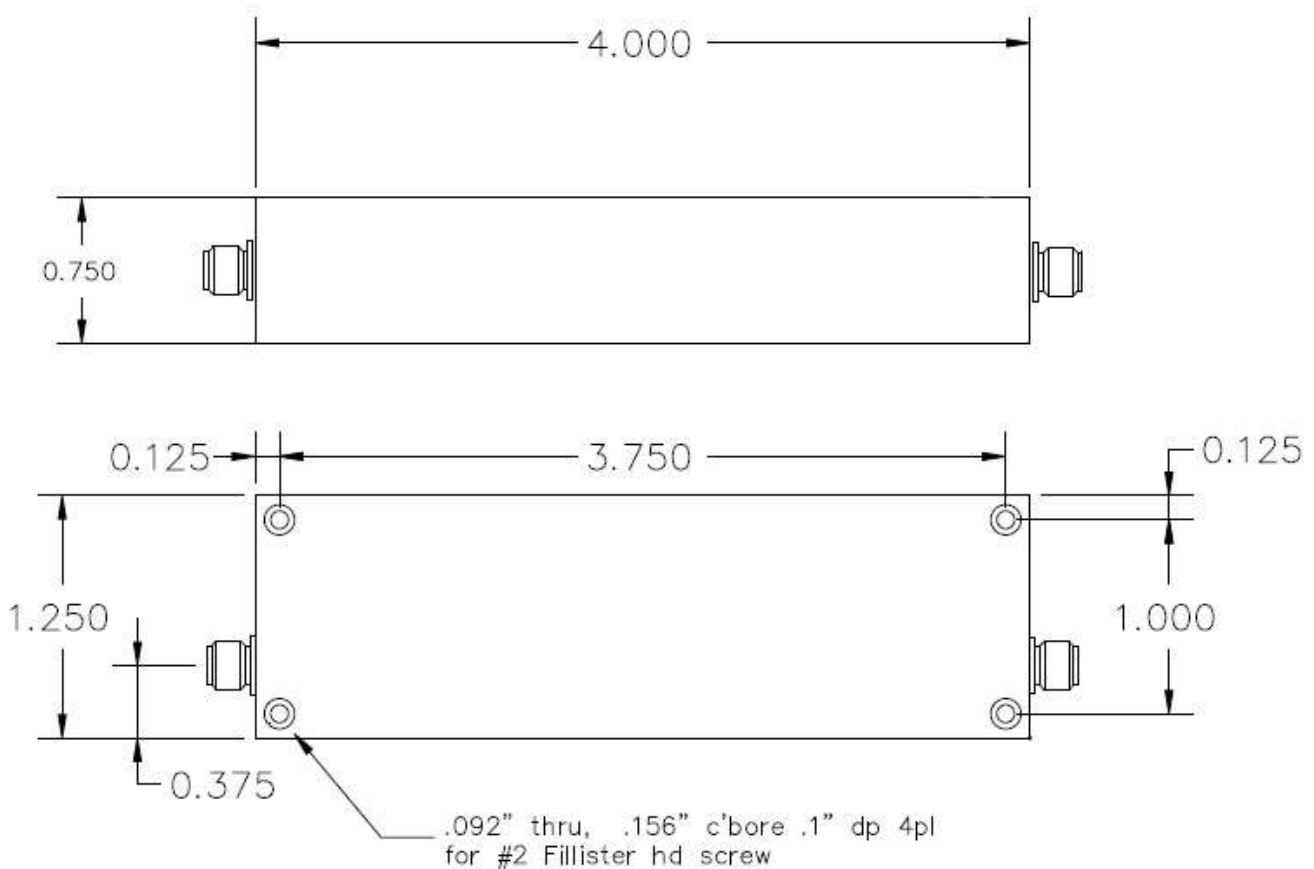


513 MHz Lowpass Filter

Part Number: AE513L9114

Insertion Loss:	<1 dB @ 319-513 MHz <3 dB @ 550 MHz
Return Loss:	>15 dB
Rejection:	>15 dB @ 637 MHz >50 dB @ 910-3000 MHz
Connector Type:	N (M) – N (F)
Dimensions:	4 x 1.25 x 0.75 inches

Outline Drawing:

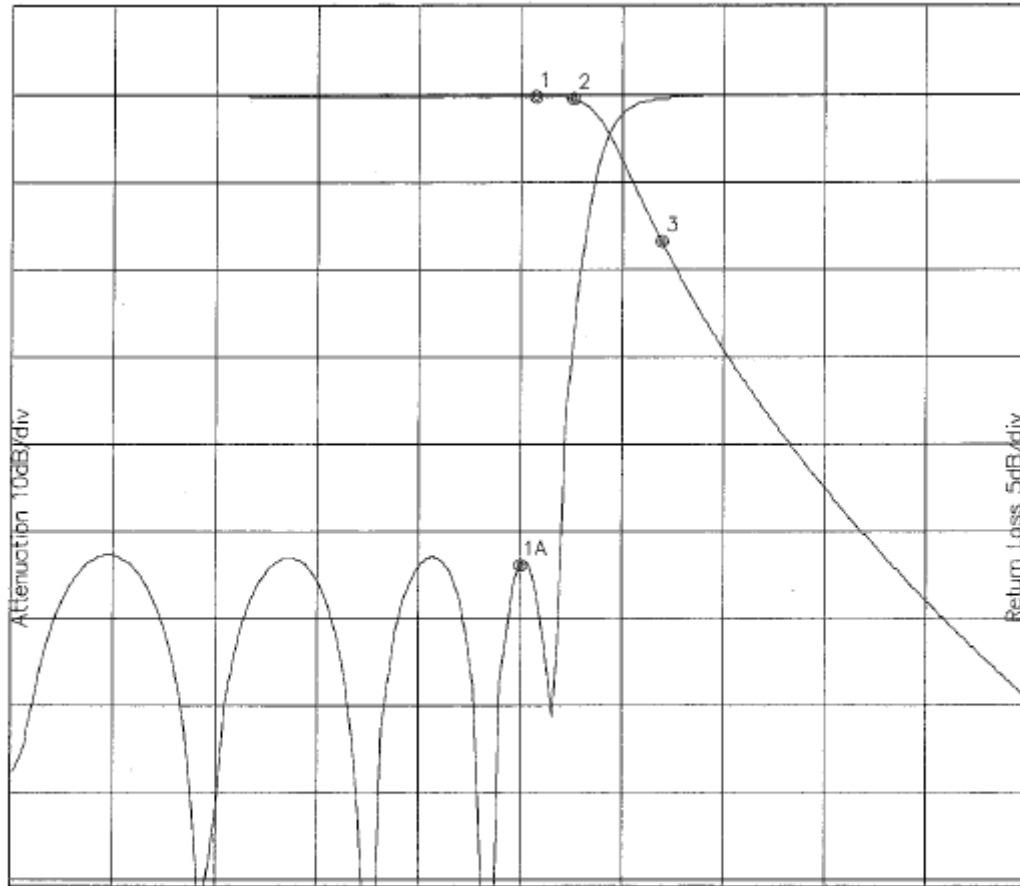




513 MHz Lowpass Filter

Part Number: AE513L9114

Response Plot:



Attenuation Start: 0.10Hz Stop: 1000.0MHz

Return Loss Start: 0.10Hz Stop: 1000.0MHz

Marker 1 Freq 513.73MHz Atten -0.191dB
Marker 2 Freq 550.88MHz Atten -0.504dB
Marker 3 Freq 638.12MHz Atten -16.778dB

Marker 1A Freq 499.19MHz Ret Loss -26.905dB