



ANATECH ELECTRONICS INC
RF & Microwave Filters & Products

Cavity Bandpass Filter

Part Number: AE3300B6929



Electrical specifications

Center Frequency: 3300 MHz
Bandwidth: 400 MHz
Input / Output Impedance: 50 Ohms
Passband: 3100-3500 MHz
Passband Insertion Loss: <1.0dB
Passband Ripple: <0.1dB
Passband Return Loss: >14 dB
Rejection: >40dB @ 0-2067 MHz
Rejection 2: >40dB @ 5270-8000 MHz
Power Handling: 30 W

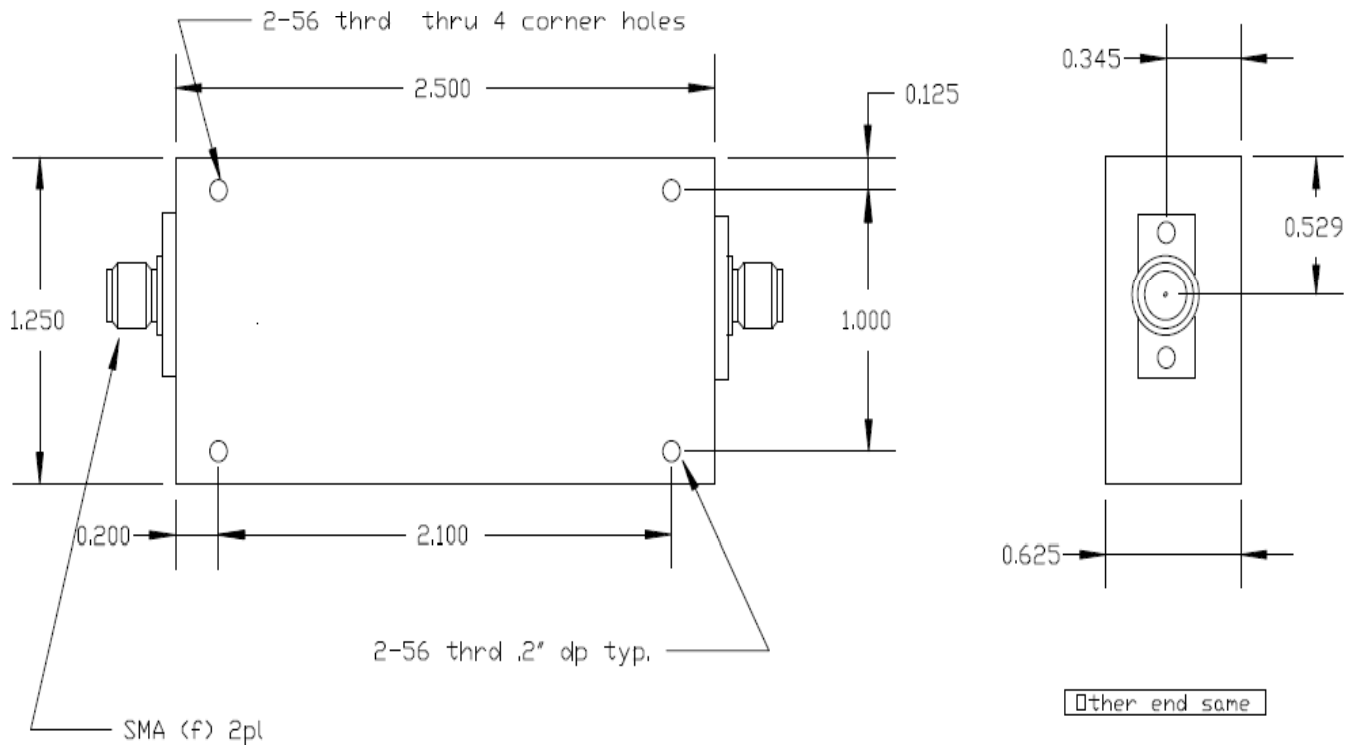
Mechanical

Mounting Method: Threaded Mounting Holes
Connector Type: SMA (F)
Dimensions: 2.5" x 1.25" x .625"

Environmental

Operating Temperature: -45 to +85 deg.C
Storage Temperature: -55 to +95 deg.C
Shock: 20 G. 11 ms
Vibration: 20 G. 5 to 200 MHz

Outline Drawing:





ANATECH ELECTRONICS INC
RF & Microwave Filters & Products

Cavity Bandpass Filter

Part Number: AE3300B6929



Response Plot:

