



5490-5590 MHz Cavity Bandpass Filter

Part Number: AB5540B1166



ANATECH ELECTRONICS INC
RF & Microwave Filters & Products

Electrical specifications

- Passband:** 5490-5590MHz
- Insertion Loss:** ≤0.9dB @ 5500-5580 MHz
- Passband Return Loss:** ≥18dB
- Rejection:** ≥60dB@5330MHz
- Rejection 2:** ≥60dB@5650MHz
- Power Handling:** 30W
- Input / Output Impedance:** 50 Ohms

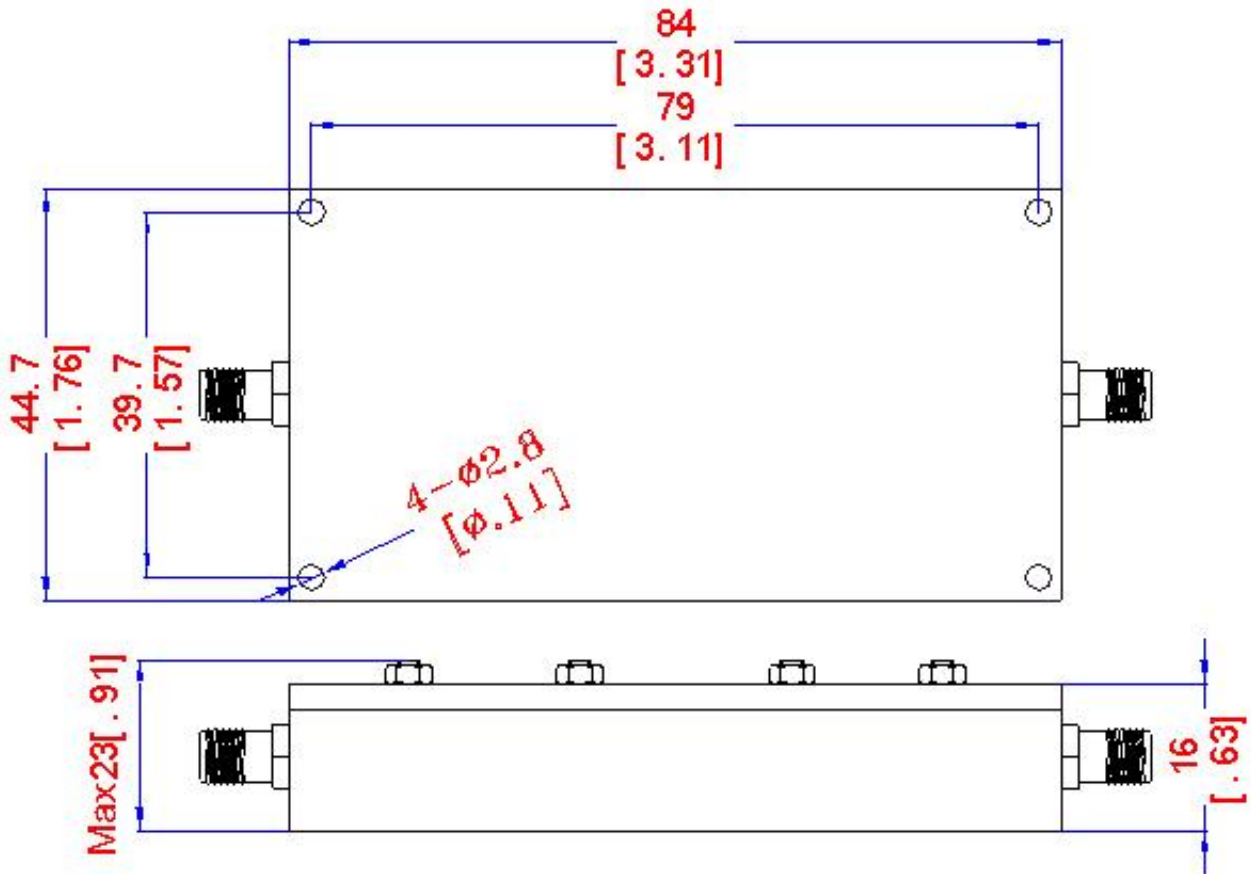
Mechanical

- Connector Type:** SMA (F)
- Dimensions:** 3.31 x 1.76 x .91 inches

Environmental

- Operating Temperature:** -45 to +85 deg. C
- Storage temperature:** -65 to +95 deg. C
- Shock:** 20 G's, ½ sine, 11ms
- Vibration:** 10 G's, 10-2000Hz
- Relative Humidity:** 0-95%

Outline Drawing:





ANATECH ELECTRONICS INC
RF & Microwave Filters & Products

5490-5590 MHz Cavity Bandpass Filter

Part Number: AB5540B1166



Response Plot:

