



ANATECH ELECTRONICS INC
RF & Microwave Filters & Products

950 MHz LC Bandpass Filter

Part Number: AE950B5190



Electrical Specifications

Center Frequency: 950 MHz
Passband: 925 MHz to 975 MHz
Insertion Loss: <3dB
Rejection: >40dB @ 887 MHz to 1012 MHz
Impedance: 50 Ohms

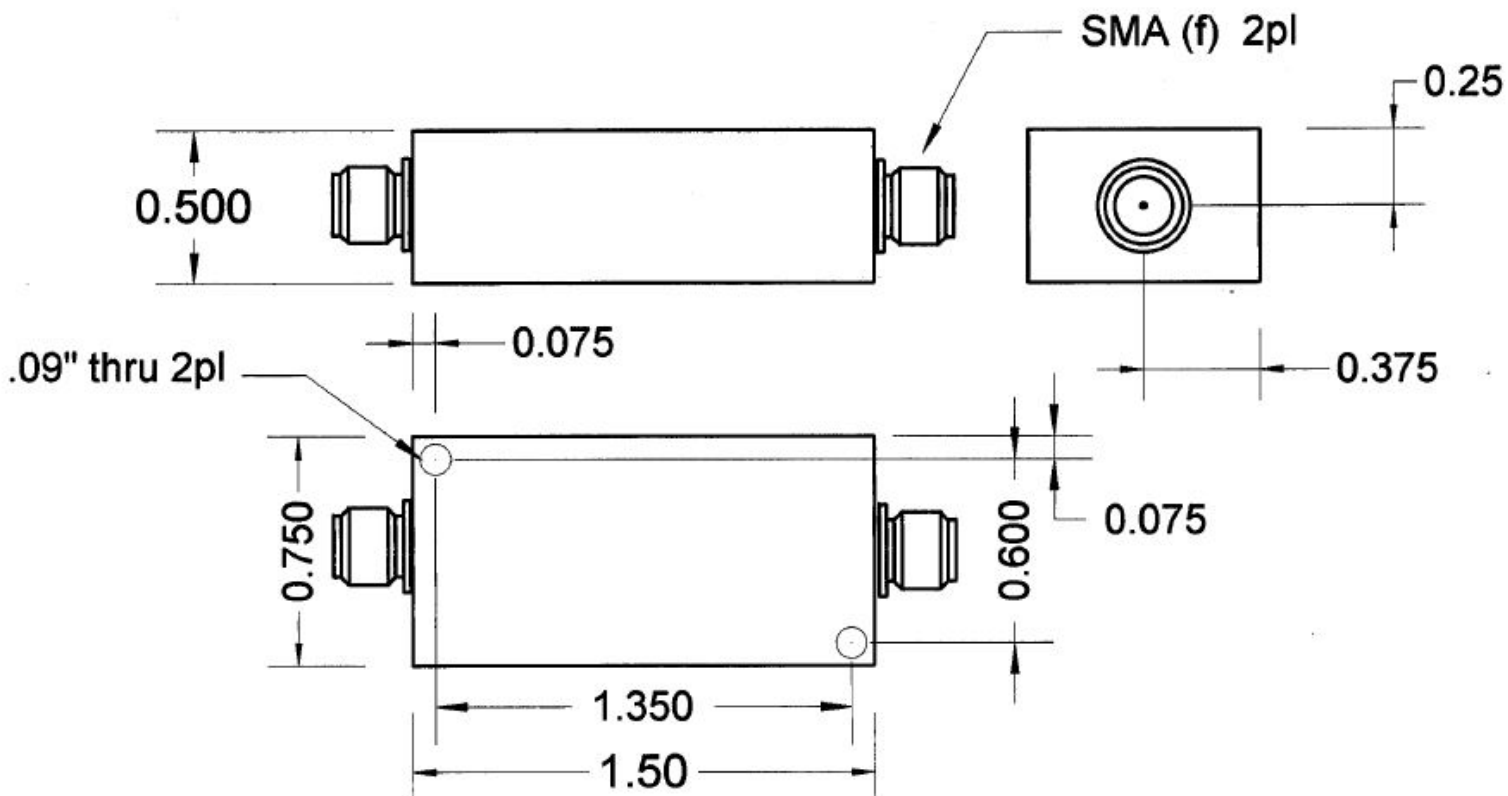
Mechanical

Mounting Method: Through Holes
Connector Type: SMA(F)
Dimensions: 1.5" x 0.75" x 0.5" in.

Environmental

Operating Temperature: -25°C to +70°C
Storage Temperature: -40°C to +90°C
Shock: 10 G. 11ms
Vibration: 10 G. 5 to 200Hz

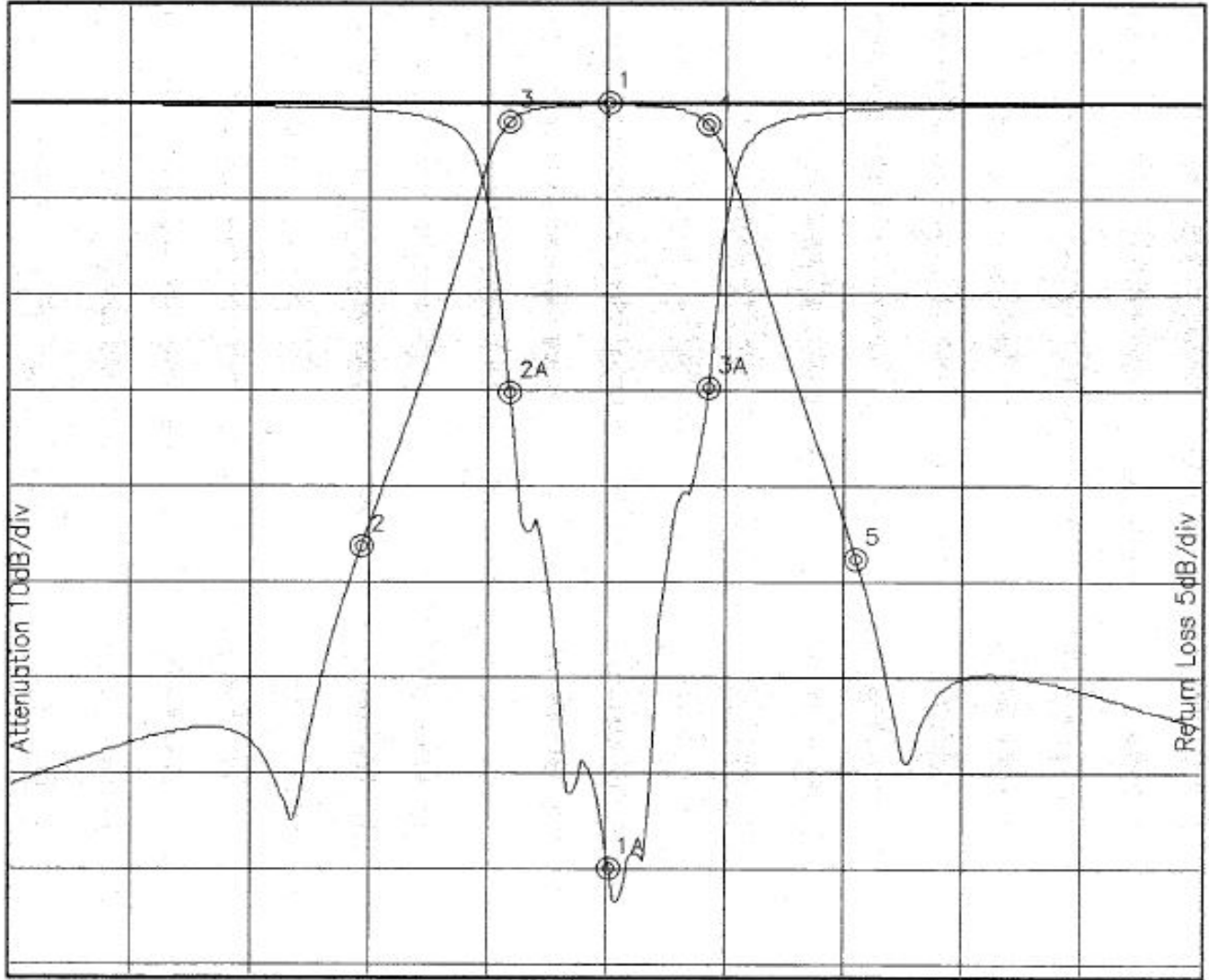
Outline Drawing:





Response Plot:

B5190.lad DEC 20, 1999 Attenuation/Return Loss



Attenuation Start: 800.0MHz Stop: 1.10GHz

Return Loss Start: 800.0MHz Stop: 1.10GHz

Offset -2.1739dB

Marker 1 Freq 950.24MHz Atten -0.047dB
 Marker 2 Freq 887.72MHz Atten -46.098dB
 Marker 3 Freq 925.04MHz Atten -1.863dB
 Marker 4 Freq 975.44MHz Atten -2.214dB
 Marker 5 Freq 1.013GHz Atten -47.320dB

Marker 1A Freq 950.24MHz Ret Loss -39.738dB
 Marker 2A Freq 925.04MHz Ret Loss -15.008dB
 Marker 3A Freq 975.44MHz Ret Loss -14.748dB