



ANATECH ELECTRONICS INC
RF & Microwave Filters & Products

36.125 MHz Bandpass Filter

Part Number: AE36.125B6379



Electrical Specifications

Center Frequency: 36.125 MHz
Bandwidth: 32.125-40.125
Impedance: 75 Ohms
Rejection: >30dB @ 0-29.3 MHz
Rejection: 30dB @ 43.7-100 MHz
Insertion loss: <3dB @ 36.125MHz
VSWR: 1.5:1

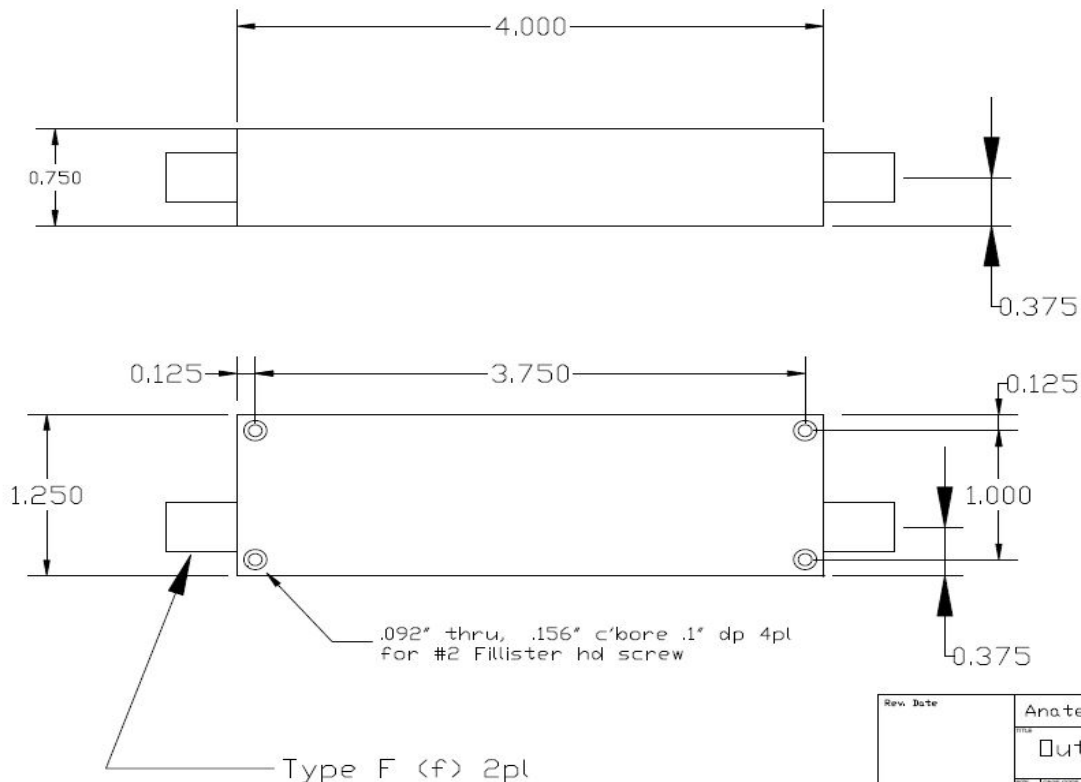
Mechanical

Mounting Method: Through Holes
Connector Type: F-Type(Female)
Dimensions: 4.0" X 1.250" x 0.75" in.

Environmental

Operating Temperature: -25°C to +70°C
Storage Temperature: -40°C to +90°C
Shock: 10 G. 11ms
Vibration: 10 G. 5 to 200Hz

Outline Drawing:



| | | | |
|-----------|-------------------------|----------|-----------|
| Rev. Date | Anatech Electronics Inc | | |
| | TITLE | | |
| | Outline Drawing | | |
| DESIGN | DATE CODE | REV. NO. | REV. DATE |
| | OK0R2 | 986922 | |
| DATE | 08/08/08 | DATE | |



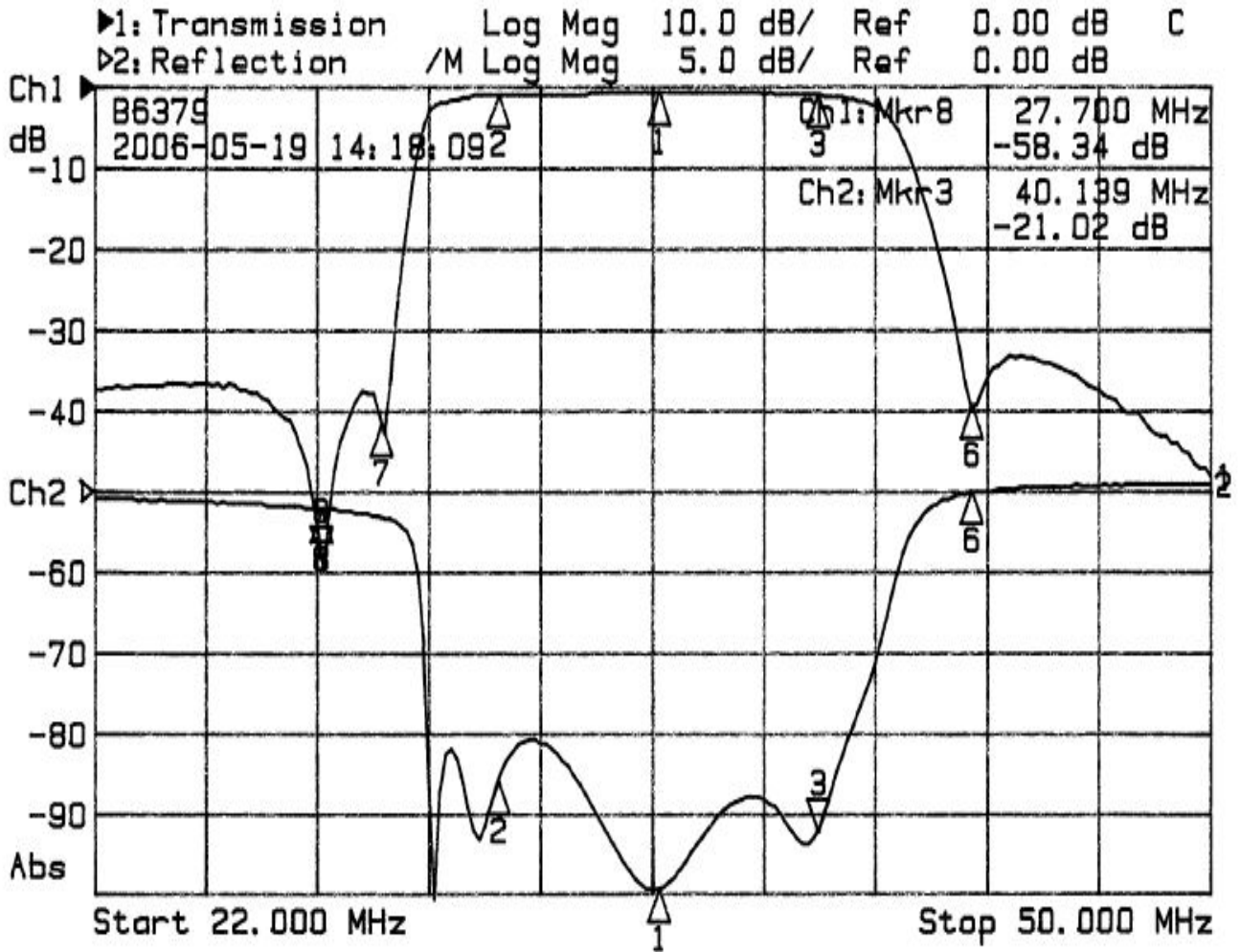
ANATECH ELECTRONICS INC
RF & Microwave Filters & Products

36.125 MHz Bandpass Filter

Part Number: AE36.125B6379



Response Plot:



| 1: Mkr (MHz) | dB | 2: Mkr (MHz) | dB | | |
|--------------|-------|--------------|----|-------|--------|
| 1: | 36.16 | -0.68 | 1: | 36.16 | -24.69 |
| 2: | 32.13 | -0.86 | 2: | 32.13 | -17.93 |
| 3: | 40.14 | -1.07 | 3> | 40.14 | -21.02 |
| 6: | 44.00 | -39.33 | 6: | 44.00 | -0.05 |
| 7: | 29.20 | -41.50 | 8: | 27.70 | -1.12 |
| 8> | 27.70 | -58.34 | | | |